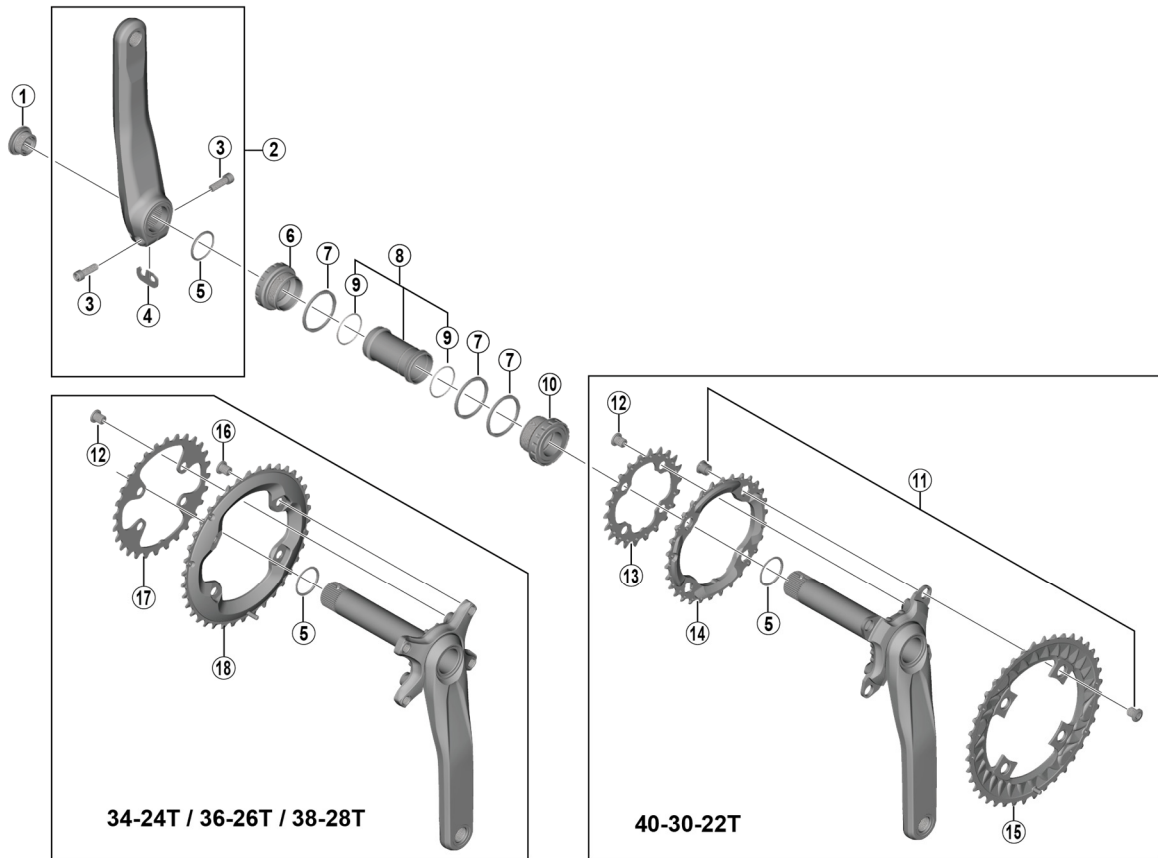


DEORE Crankset

FC-M6000 FC-M6000-2/B2

SM-BB52



- Chaining teeth combinations: 40-30-22T / 38-28T / 36-26T / 34-24T
- Bolt circle diameter: 96 mm...(For outer gear and middle gear), 64 mm...(For inner gear)

FC-M7000-10
FC-M622
FC-MT500-2/3

ITEM NO.	SHIMANO CODE NO.	DESCRIPTION	INTERCHANGEABILITY		
			FC-M7000-10	FC-M622	FC-MT500-2/3
1	Y1F811100	Crank Arm Fixing Bolt	A	A	A
2	Y1WC98030	Left Hand Crank Arm Unit 170 mm			
	Y1WC98040	Left Hand Crank Arm Unit 175 mm			
3	Y1GS00030	Clamp Bolt (M6 x 19)	A	A	A
4	Y1FU98120	Plate	A	A	A
5	Y1F316000	Ring	A	A	A
6	Y1RP98050	Left Hand Adapter (B.C.1.37" x 24T) English Thread (SM-BB52)			
7	Y1F813000	Spacer (2.5 mm)	A	A	A
8	Y1J898060	Inner Cover & O-Ring			
9	Y1TF21000	O-Ring	A	A	A
10	Y1RP98060	Right Hand Adapter (B.C.1.37" x 24T) English Thread (SM-BB52)			
11	Y1WC98050	Gear Fixing Bolt (M8 x 8.5 / 1 Unit = 4 pcs.) & Nut (1 Unit = 4 pcs.)			
12	Y1LV98060	Inner Gear Fixing Bolt (M8 x 8.5 / 1 Unit = 4 pcs.)			
13	Y1NW22000	Chainring 22T-AN for 40-30-22T	A	A	
14	Y1WC98010	Chainring 30T-AN for 40-30-22T			
15	Y1WC98020	Chainring 40T-AN for 40-30-22T			
16	Y1WD98050	Gear Fixing Bolt (M8 x 8.5 / 1 Unit = 4 pcs.)			
17	Y1WD24000	Chainring 24T-BE for 34-24T			
	Y1WD26000	Chainring 26T-BF for 36-26T			
	Y1WD28000	Chainring 28T-BG for 38-28T			
	Y1WD98040	Chainring 34T-BE for 34-24T			
18	Y1WB98010	Chainring 36T-BF for 36-26T			
	Y1WD98030	Chainring 38T-BG for 38-28T			

A: Same parts.

B: Parts are usable, but differ in materials, appearance, finish, size, etc.

Absence of mark indicates non-interchangeability.

Specifications are subject to change without notice.

May-2017-4187

© Shimano Inc. I

SHIMANO