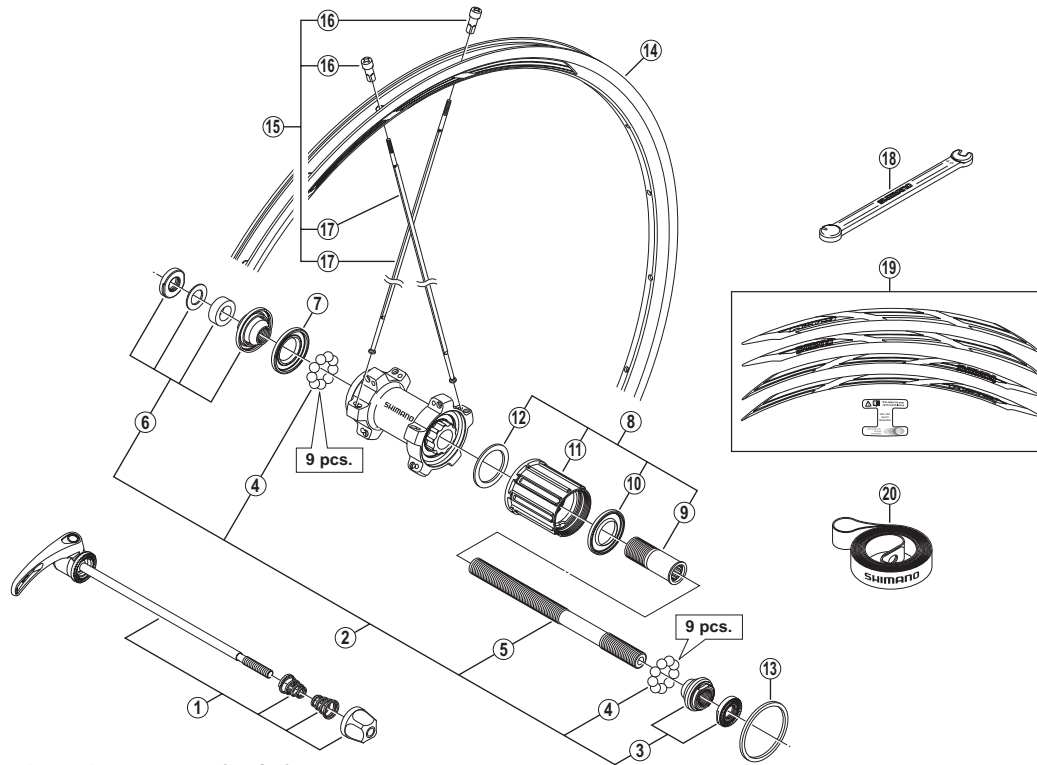


# Rear Wheel (10/11-Speed)

## WH-RS21-CL-R Black / Silver / White



• Over Lock Nut Dimension: 130 mm (5-1/8")

WH-RS31-CL-R  
WH-RS11-CL-R

ITEM NO.	SHIMANO CODE NO.	DESCRIPTION	INTERCHANGEABILITY	
1	Y4EJ98030	Complete Quick Release 163 mm (6-13/32")	A	A
	Y4GF98050	Complete Quick Release 168 mm (6-5/8")	A	A
2	Y49V98010	Complete Hub Axle 141 mm (5-9/16")	A	A
3	Y49V98020	Right Hand Lock Nut Unit	A	A
4	Y00091310	Steel Ball (1/4") 18 pcs.	A	A
5	Y30K01100	Hub Axle 141 mm (5-9/16")	A	A
6	Y49V98030	Left Hand Lock Nut Unit	A	A
7	Y3CR09000	Left Hand Seal Ring	A	A
8	Y49V98040	Complete Freewheel Body	A	A
9	Y3D310000	Body Fixing Bolt	A	A
10	Y3CR08000	Right Hand Seal Ring	A	A
11	Y49V98050	Freewheel Body Unit	A	A
12	Y37504000	Freewheel Body Washer	A	A
13	Y4T724000	Low Spacer (1.85 mm)	A	A
14	EWHRIM3NREBC	Black Rim {20H / Rim Sticker: Standard}		
	EWHRIM3NREAC	Silver Rim {20H / Rim Sticker: Standard}		
	EWHRIM3NREWC	White Rim {20H / Rim Sticker: Standard}		
15	EWHSPOKE3MB1	Spoke Unit {Spoke (304 mm x 20 pcs.) / Nipple (20 pcs.)}		
16	Y012Z4070	Nipple (Silver)	B	B
17	Y012AP047	Spoke (304 mm / Black)		
18	Y4DK89000	TL-WH78 Nipple Wrench	A	A
19	Y49V98060	Rim Sticker Unit (Standard) for Black Rim		
	Y49V98070	Rim Sticker Unit (Red) for Black Rim		
	Y49V98080	Rim Sticker Unit (Blue) for Black Rim		
	Y49V98090	Rim Sticker Unit (Orange) for Black Rim		
	Y49V98100	Rim Sticker Unit (Green) for Black Rim		
	Y49V98110	Rim Sticker Unit (Sky Blue) for Black Rim		
	Y49V98120	Rim Sticker Unit (High-Tech Grey) for Black Rim		
	Y49V98130	Rim Sticker Unit (Standard) for Silver Rim		
	Y49V98140	Rim Sticker Unit (Standard) for White Rim		
	Y49V98150	Rim Sticker Unit (Red) for White Rim		
	Y49V98160	Rim Sticker Unit (Blue) for White Rim		
	Y49V98170	Rim Sticker Unit (Orange) for White Rim		
	Y49V98180	Rim Sticker Unit (Green) for White Rim		
Y49V98190	Rim Sticker Unit (Sky Blue) for White Rim			
Y49V98200	Rim Sticker Unit (High-Tech Grey) for White Rim			
20	EWHRIMTAPERA	Rim Tape	A	A

A: Same parts.

B: Parts are usable, but differ in materials, appearance, finish, size, etc.

Absence of mark indicates non-interchangeability.

Sep.-2012-3379

© Shimano Inc. I

Specifications are subject to change without notice.

# SHIMANO