

SHIMANO

SHIMANO EUROPA

Industrieweg 24 NL-8071 CT Nunspeet, Holland
Phone 31-3412-72222

SHIMANO AMERICAN CORPORATION

One Shimano Drive, P.O. Box 19615, Irvine,
California U.S.A. 92623-9615 Phone 714-951-5003

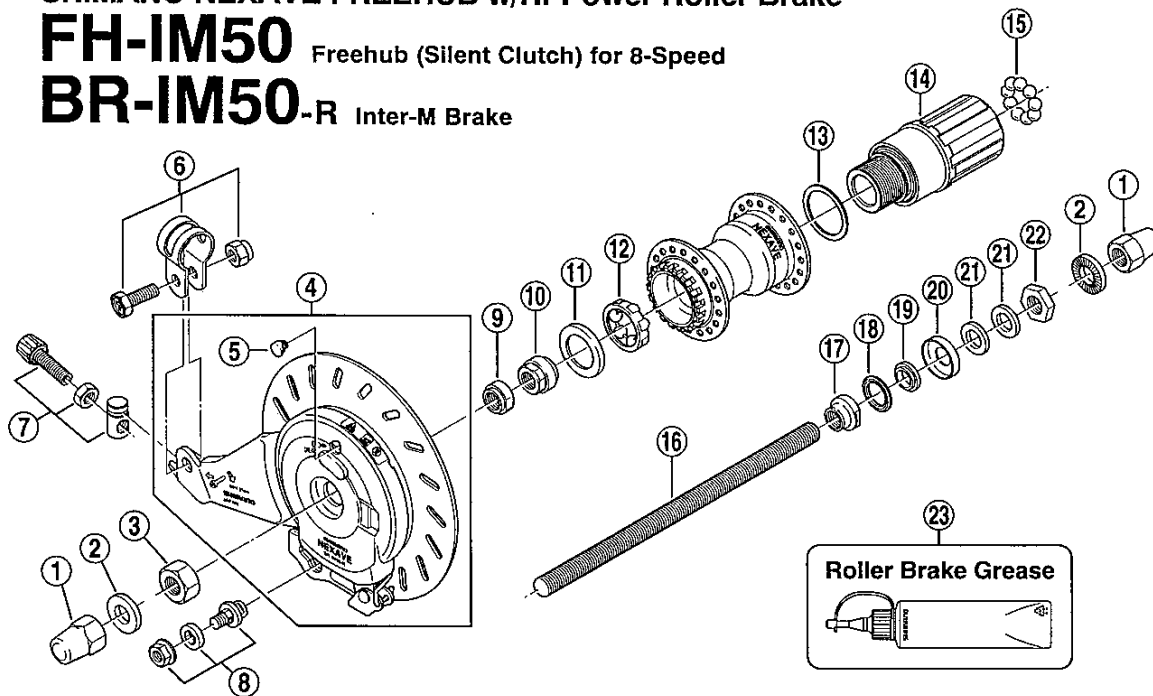
Small parts list for after market.

- You may photocopy this sheet and use it as an order form.
- Sie können dieses Blatt kopieren und als Bestellformular verwenden.
- Vous pouvez photocopier cette feuille et l'utiliser comme bon de commande.
- Dit blad kan gecopieerd en als bestelformulier gebruikt worden.
- Potete fotocopiare questo foglio e usarlo come modulo di commissione.

SHIMANO NEXAVE FREEHUB w/Hi-Power Roller Brake

FH-IM50 Freehub (Silent Clutch) for 8-Speed

BR-IM50-R Inter-M Brake



Q'TY	ITEM NO.	SHIMANO CODE NO.	DESCRIPTION
	1	314 1420	Cap Nut (M10)
	2	220 0601	Washer (3.2 mm)
	3	75V 1303	Brake Unit Fixing Nut (8.2 mm)
	4	75J 9801	Inter-M Brake Unit
	5	75V 1601	Grease Hole Cap
	6	75U 9813	Brake Arm Clip Unit (φ 15 mm)
		75U 9811	Brake Arm Clip Unit (5/8")
		75U 9812	Brake Arm Clip Unit (11/16")
		75U 9810	Brake Arm Clip Unit (3/4")
	7	75P 9803	Brake Cable Adjustment Bolt Unit
	8	75P 9805	Inner Cable Fixing Bolt Unit
	9	31Z 0601	Lock Nut for Left Hand Cone (M10)
	10	31Z 0501	Left Hand Cone (M10)
	11	31Z 0700	Left Hand Dust Cap
	12	321 9022	Ball Retainer (1/4" x 7)
	13	3A4 1300	Freewheel Body Washer
	14	31V 9801	Complete Freewheel Body w/Right Hand Dust Cap
	15	000 9131	Steel Ball (1/4") 18 pcs.
	16	30J 0650	Hub Axle (M10 x 185 mm)
	17	3AE 0300	Right Hand Cone (M10 x 9 mm)
	18	214 0600	Seal Ring
	19	31V 0300	Right Hand Axle Spacer
	20	3A0 0510	Right Hand Dust Cap
	21	301 0610	Right Hand Washer (2.3 mm)
	22	385 0101-1	Lock Nut (4.5 mm)
	23	041 2040	Roller Brake Grease (Net. 100g)