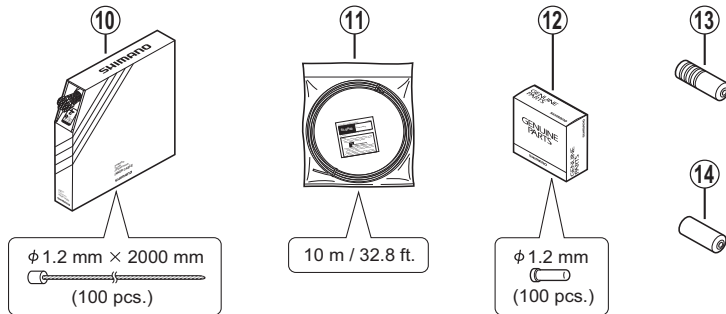
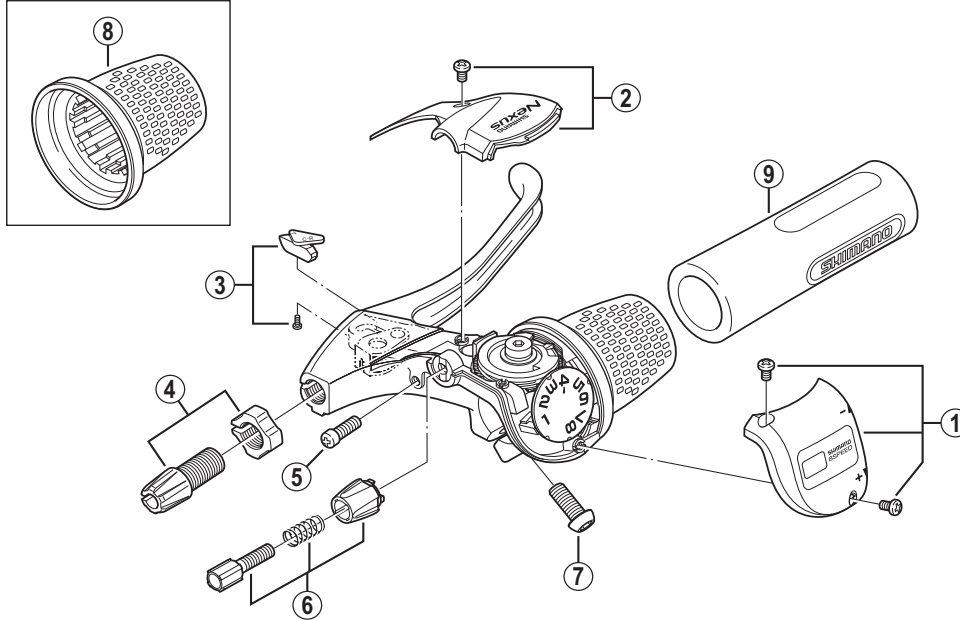


NEXUS Revo-Shift Lever (For 8-speed)

SB-8S20 SB-8S20-A



ITEM NO.	SHIMANO CODE NO.	DESCRIPTION
1	Y6J398010	Indicator Cover & Fixing Screws (M3 x 5)
2	Y6J398030	Upper Cover & Fixing Screw (M3 x 5)
3	Y8TS98010	Adjustment Block & for SB-8S20
	Y8NL98010	Adjustment Block & for SB-8S20-A
4	Y8S898010	Brake Cable Adjusting Bolt (M10 x 19) & Nut
5	Y89E05010	Reach Adjusting Screw (M4 x 10.8)
6	Y61W98030	Cable Adjusting Bolt Unit
7	Y8SB10000	Clamp Bolt (M6 x 14.8)
8	Y6J304000	Shift Actuator (Black)
9	Y61X14010	Half Grip (ø22.2 mm / Black)
10	Y60098510	Inner Cable Box (Stainless / 100 pcs.) for Shift
11	Y6Z298100	SIS-SP40 Outer Casing (Black) for Shift
12	Y62098030	Inner End Caps (ø1.2 mm / 100 pcs.)
13	Y6Z298010	SIS-SP40 Sealed Outer Caps (Revo-Shift Lever Side / Black / ø6 mm / 100 pcs.)
14	Y6Z190010	SIS-SP40 Sealed Outer Cap (Cassette Joint Side / Silver / ø6 mm)

A: Same parts.

B: Parts are usable, but differ in materials, appearance, finish, size, etc.

Absence of mark indicates non-interchangeability.

Specifications are subject to change without notice.

Oct.-2015-2238A

© Shimano Inc. I

SHIMANO