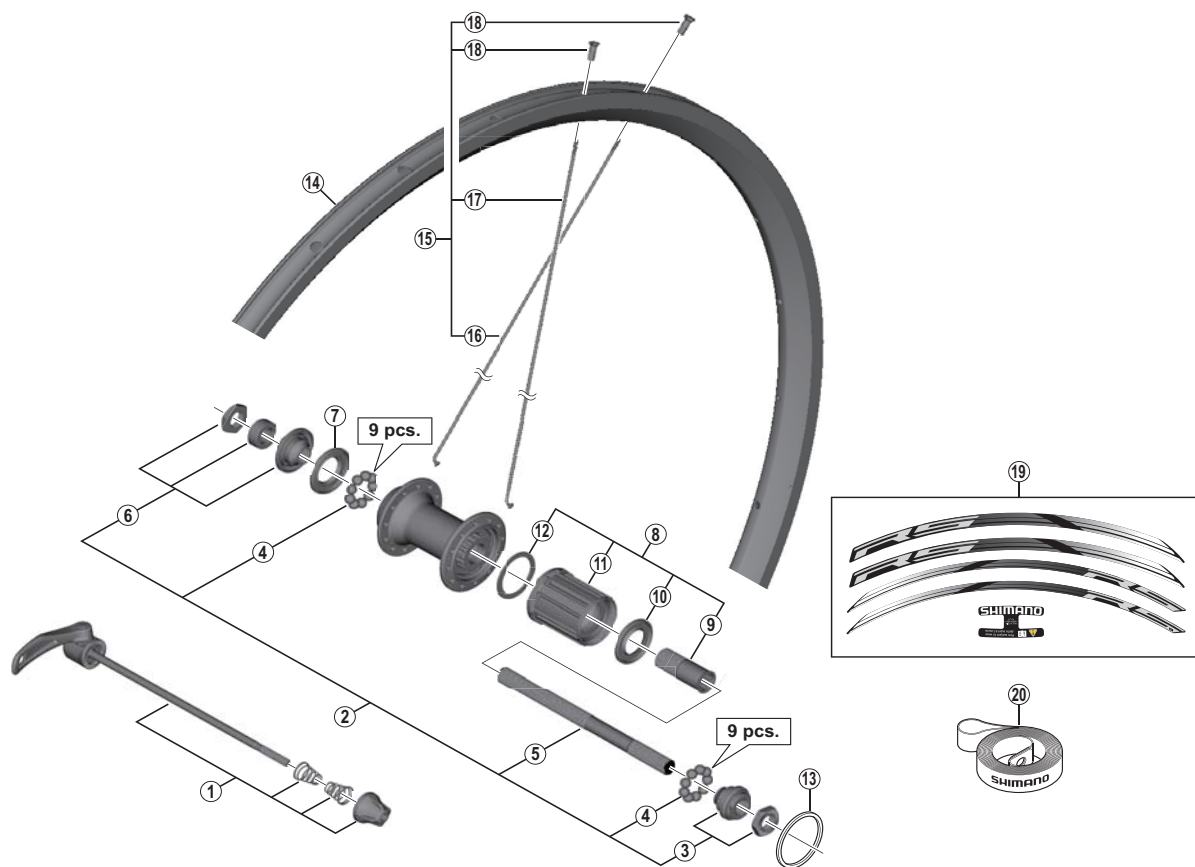


Rear Wheel (10/11-Speed) WH-RS010-R



• Over Lock Nut Dimension: 130 mm (5-1/8")

ITEM NO.	SHIMANO CODE NO.	DESCRIPTION	INTERCHANGEABILITY	
			WH-R501-R	WH-RS11-R
1	Y4SK98110	Complete Quick Release 163 mm (6-13/32")	A	
	Y4SK98120	Complete Quick Release 168 mm (6-5/8")	A	
2	Y48U98010	Complete Hub Axle 141 mm (5-9/16")	A	
3	Y48U98020	Right Hand Lock Nut Unit		
4	Y00091310	Steel Ball (1/4") 18 pcs.	A	A
5	Y30K01100	Hub Axle M10 x 141 mm (5-9/16")	A	A
6	Y4SK98060	Left Hand Lock Nut Unit	A	B
7	Y3CR09000	Left Hand Seal Ring	A	A
8	Y48U98040	Complete Freewheel Body		
9	Y3BL03000	Body Fixing Bolt	A	
10	Y3CR08000	Right Hand Seal Ring	A	A
11	Y48U98050	Freewheel Body Unit		
12	Y3TD06000	Freewheel Body Washer		
13	Y4T724000	Low Spacer (1.85 mm)		A
14	EWHRIM2F49	Rim {24H / Black}		
15	EWHSPOKE272D	Spoke Unit {Spoke (286 mm x 12 pcs. & 288 mm x 12 pcs.) / Nipple (24 pcs.)}		
16	Y48VS1000	Left Hand Spoke (288 mm)		
17	Y0123Z865	Right Hand Spoke (286 mm)	A	
18	Y012Y4341	Nipple	A	
*	Y48U98060	Rim Sticker Unit (Standard)		
	Y48U98070	Rim Sticker Unit (Red)		
	Y48U98080	Rim Sticker Unit (Blue)		
	Y48U98090	Rim Sticker Unit (Orange)		
	Y48U98100	Rim Sticker Unit (Green)		
	Y48U98110	Rim Sticker Unit (Sky Blue)		
*	Y48U98120	Rim Sticker Unit (High-Tech Grey)		
20	EWHRIMTAPERA	Rim Tape	A	A

A: Same parts.

B: Parts are usable, but differ in materials, appearance, finish, size, etc.

Absence of mark indicates non-interchangeability.

Specifications are subject to change without notice.

Apr.-2015-3688B

© Shimano Inc. I

SHIMANO