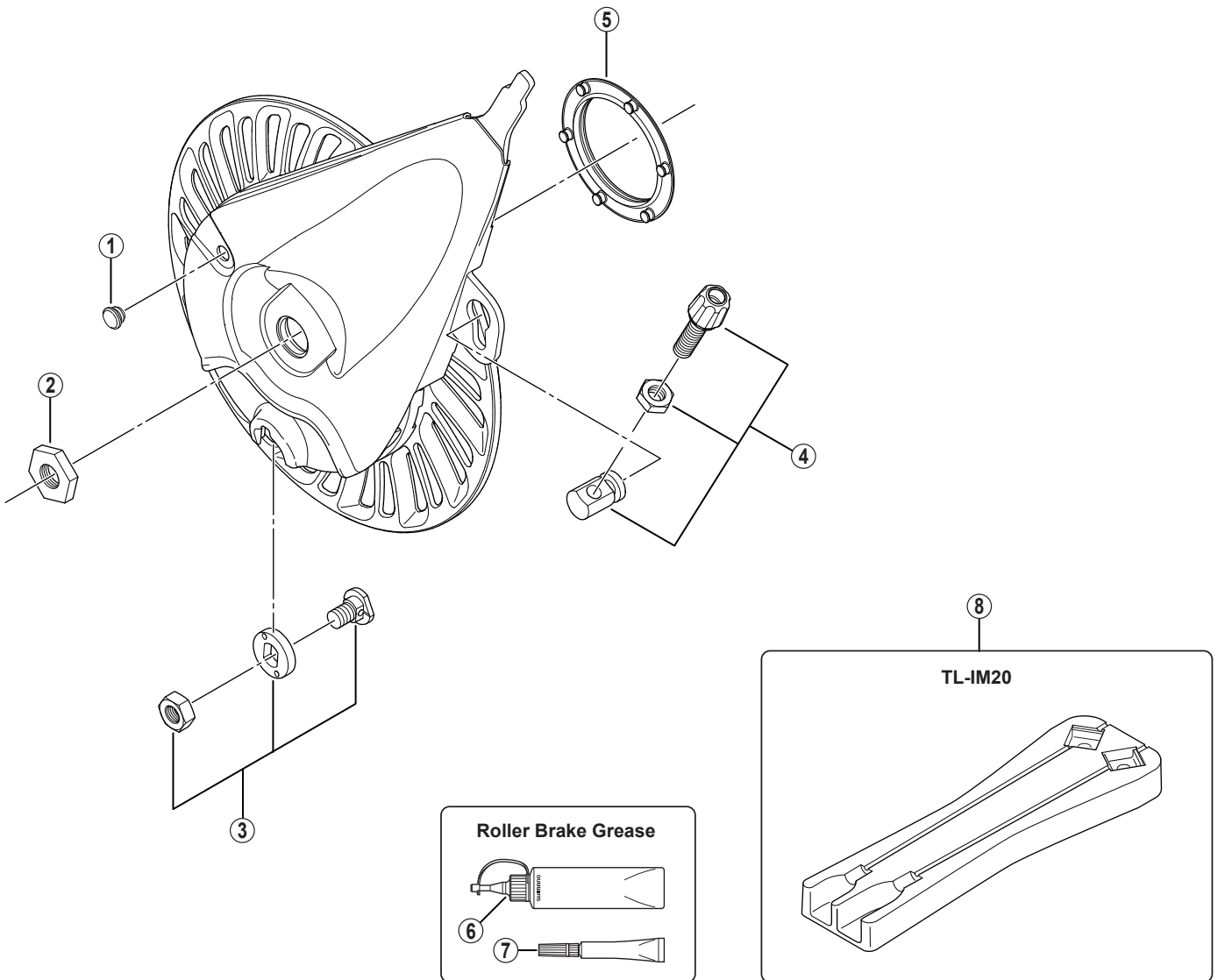


Roller Brake BR-IM80-F



ITEM NO.	SHIMANO CODE NO.	DESCRIPTION	INTERCHANGEABILITY		
			BR-IM80.R	BR-IM70-F	BR-IM50.F
1	Y-75F 11000	Grease Hole Cap	A	A	B
2	Y-22V 05110	Brake Unit Fixing Nut (M9 x 3.5 mm)			
	Y-22T 05000	Brake Unit Fixing Nut (M10 x 4 mm)		A	A
	Y-75V 13051	Brake Unit Fixing Nut (M9 x 8.2 mm)			
3	Y-8G7 98010	Inner Cable Fixing Bolt Unit			
4	Y-8G7 98020	Brake Cable Adjusting Bolt Unit	A		
5	Y-8G7 17000	Seal Ring	A		
6	Y-041 20400	Roller Brake Grease (Net.100g)	A	A	A
7	Y-041 40020	Roller Brake Grease (Net.10g)	A	A	A
8	Y-75W98020	TL-IM20 Inner Fixing Tool	A		

A: Same parts.
 B: Parts are usable, but differ in materials, appearance, finish, size, etc.
 Absence of mark indicates non-interchangeability.

Jun.-2009-2961
 © Shimano Inc.

Specifications are subject to change without notice.

SHIMANO