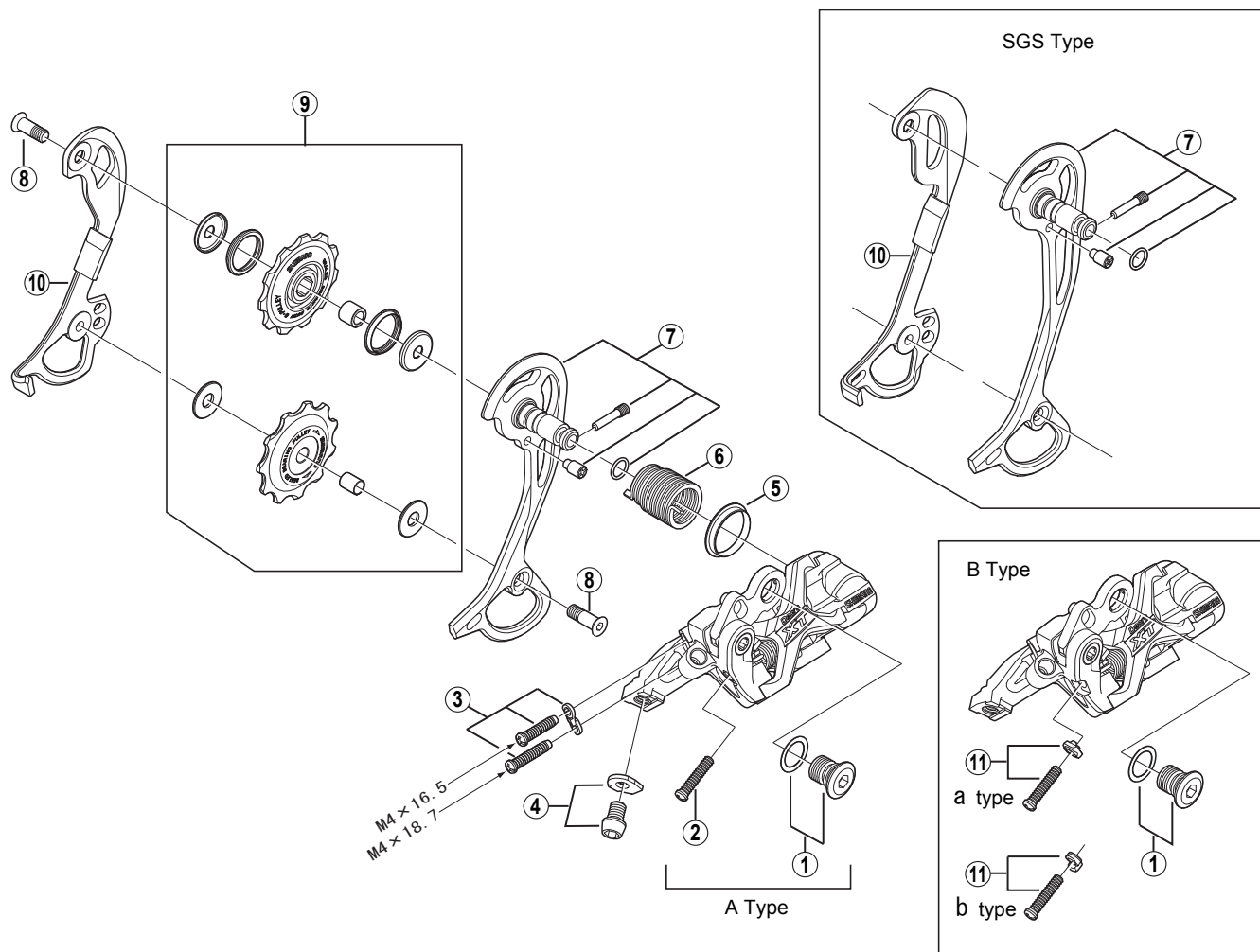


DEORE XT Rear Derailleur

RD-M772 (GS) Long Cage

RD-M772 (SGS) Super Long Cage



ITEM NO.	SHIMANO CODE NO.	DESCRIPTION	INTERCHANGEABILITY		
			RD-M972	RD-M770	RD-M771
1	Y-5W7 98110	B-Axle Assembly			
2	Y-556 25060	B-Tension Adjusting Screw (M4 x 18) B-type	B		
	Y-556 25040	B-Tension Adjusting Screw (M4 x 18) A-type	B		
3	Y-5W7 98020	Stroke Adjusting Screws & Plate	B		
4	Y-5W7 98030	Cable Fixing Bolt (M5 x 8) & Plate			
5	Y-5UC 14000	P-Seal Ring	A	A	A
6	Y-5W7 22000	P-Tension Spring	B		
	Y-5W7 98040	Outer Plate Assembly (GS-Type)			
	Y-5W7 98050	Outer Plate Assembly (SGS-Type)			
* 8	Y-53M 24400	Pulley Bolt			
9	Y-5W7 98080	Guide & Tension Pulley Unit			
10	Y-5W7 09000	Inner Plate (GS-Type)	B		
	Y-5W7 10000	Inner Plate (SGS-Type)	B		
11	Y-5W7 98100	B-Tension Adjusting Screw (M4 x 18) & Plate a-Type			
	Y-5W7 98120	B-Tension Adjusting Screw (M4 x 18) & Plate b-Type			

A: Same parts.

B: Parts are usable, but differ in materials, appearance, finish, size, etc.

Absence of mark indicates non-interchangeability.

Mar.-2010-2707F
(C) Shimano Inc.