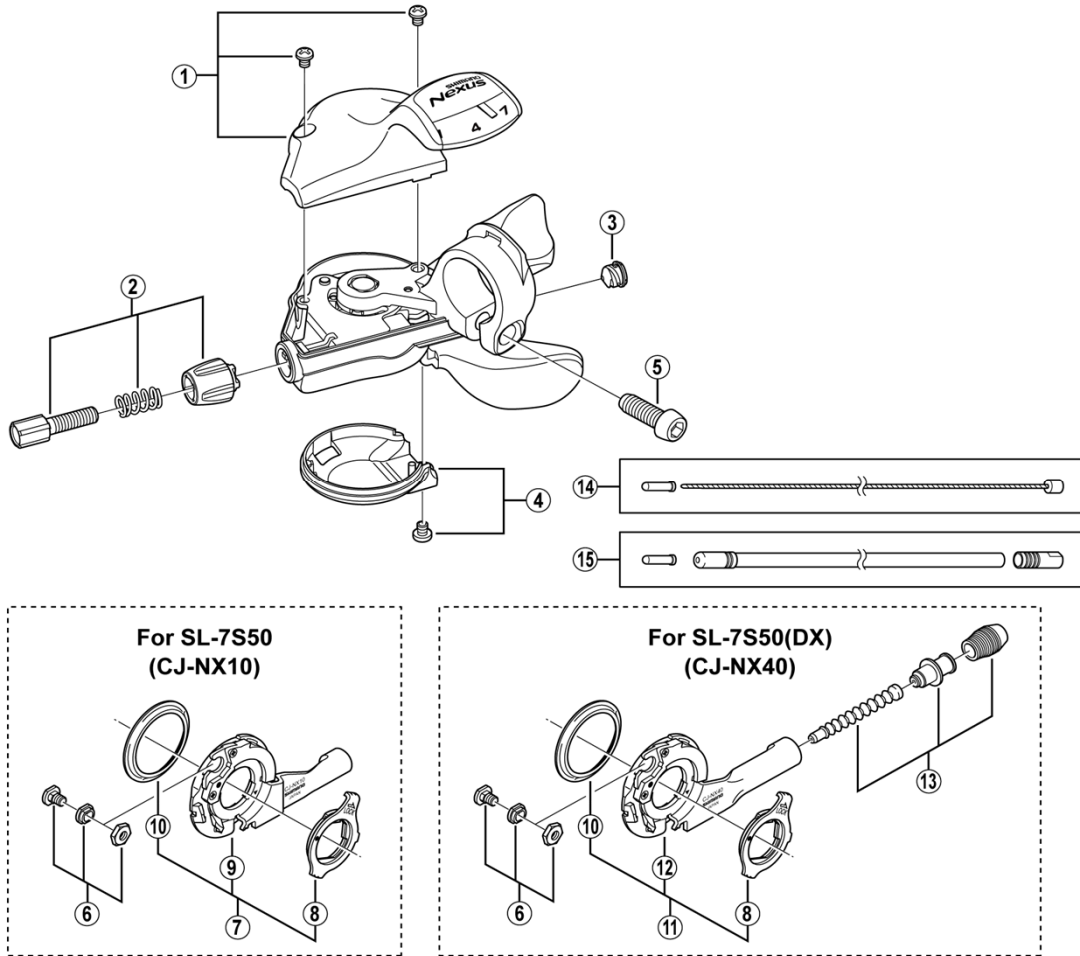


NEXUS Rapidfire Plus Lever

SL-7S50



**For SL-7S50
(CJ-NX10)**

**For SL-7S50(DX)
(CJ-NX40)**

| ITEM NO. | SHIMANO CODE NO. | DESCRIPTION | INTERCHANGEABILITY | | |
|----------|------------------|--|--------------------|---------|---------|
| | | | SL-S503 | SL-S500 | SL-S550 |
| 1 | Y6WV98010 | Indicator Unit (Silver) | | | |
| | Y6WV98020 | Indicator Unit (Black) | | | |
| 2 | Y61W98030 | Cable Adjustment Barrel Unit | A | A | A |
| 3 | Y6CD33000 | Inner Hole Cap | A | A | A |
| 4 | Y6WV98050 | Main Lever Cover & Fixing Screw | B | B | B |
| 5 | Y6TE46000 | Clamp Screw (M6 x 17.8) | B | B | A |
| 6 | Y74Y98030 | Inner Cable Fixing Bolt Unit | A | A | A |
| 7 | Y74Y98050 | CJ-NX10 Cassette Joint Unit | | | |
| 8 | Y33Z98020 | Cassette Joint Fixing Ring | A | A | A |
| 9 | Y74Y93100 | CJ-NX10 Cassette Joint | | | |
| 10 | Y74Y18000 | Driver Cap | A | A | A |
| 11 | Y74Y98100 | CJ-NX40 Cassette Joint Unit | | | |
| 12 | Y74Y98090 | CJ-NX40 Cassette Joint | | | |
| 13 | Y74Y98160 | Outer Casing Holder Unit | | | |
| * 14 | Y60098911 | Shift inner cable stainless steel • Stainless steel inner cable • Diameter 1.2 mm x 2100 mm incl. inner end cap | | | |
| * 15 | Y6YE98010 | SP41 shift outer casing • SP41 (2100 mm) with sealed outer cap • Sealed outer cap (1 pc.) • Inner end cap (1 pc.) | | | |

A: Same parts.

B: Parts are usable, but differ in materials, appearance, finish, size, etc.

Absence of mark indicates non-interchangeability.

Specifications are subject to change without notice.

Mar.-2020-3352A

© Shimano Inc. I

SHIMANO