

**Handling System for Hood type  
Pre-wash Table with Bowl Left  
to Right, 1800mm**

ITEM # \_\_\_\_\_

MODEL # \_\_\_\_\_

NAME # \_\_\_\_\_

SIS # \_\_\_\_\_

AIA # \_\_\_\_\_



865313 (BHHPTB18L)

Prewash table with  
500x400mm bowl for hood  
type, l>r, 1800mm

**Short Form Specification**

Item No. \_\_\_\_\_

For hood type dishwashers. Constructed in 304 AISI stainless steel. Backsplash mm300h. N. 2 square 40x40mm tubular legs on height-adjustable feet. Bowl size mm500x400x300h with overflow pipe, drain hole and plastic syphon. Basket direction: from left to right.

**Main Features**

- Supplied knocked-down and easy to assemble.
- Designed for 500x500 mm dishwashing racks.
- Plain undershelves and pre-rinse units available as optional accessories.

**Construction**

- Stainless steel feet 50 mm adjustable in height to ensure that tables drain back into the dishwasher.
- Overflow siphon incorporated.
- 700x500x300mm bowl available upon request.
- Included splashback to prevent water spatter.
- Deep anti-drip profiles completely folded with lower edge for safe and easy cleaning.
- All surfaces smooth with polished finish.
- 40x40 mm square tubular legs in AISI 304 stainless steel.
- 304 AISI stainless steel construction throughout.
- To be secured to the dishwasher and fitted with one pair of legs at the other end.

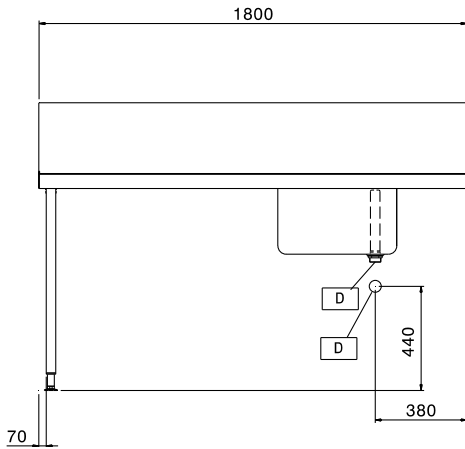
**Optional Accessories**

- Prewash spray unit, single hole PNC 855315
- Strainer basket for pre-wash table PNC 864068
- Undershelf for dishwasher table, 1800 mm PNC 865354
- Floor fastening kit for 2 square legs PNC 865386
- Single plastic drain syphon 2" for sinks PNC 895313

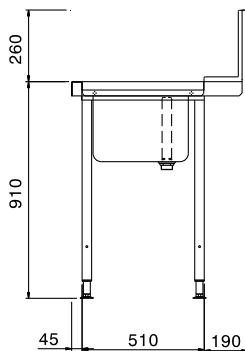
APPROVAL: \_\_\_\_\_

## Handling System for Hood type Pre-wash Table with Bowl Left to Right, 1800mm

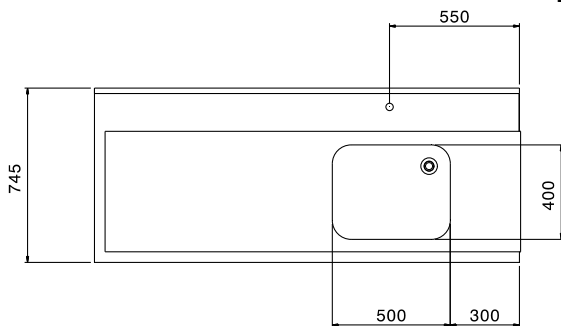
**Front**



**Side**



**Top**



### Key Information:

External dimensions, Width:

865313 (BHHPTB18L) 1800 mm

External dimensions, Depth: 745 mm

External dimensions, Height: 1170 mm

Net weight: 16 kg

Splashback Dimensions, Height: 300 mm

Basin dimensions: 500x400x300h

Handling System for Hood type  
Pre-wash Table with Bowl Left to Right, 1800mm

The company reserves the right to make modifications to the products  
without prior notice. All information correct at time of printing.