



# LED TRACK LIGHT

## Main Features:

- \*. CRI90.
- \*. Flicker free internal driver.
- \*. RGBCW smart solution, 16+ Million colors.
- \*. Intelligent system: Tuya, Zigbee, Bluetooth, Wifi.
- \*. Color temperature range: 2700K-6000K.
- \*. Dimmable range: 0-100%.
- \*. Innovative structure design: Lamp body can be  $\pm 90^\circ$  adjustable and  $355^\circ$  rotatable.



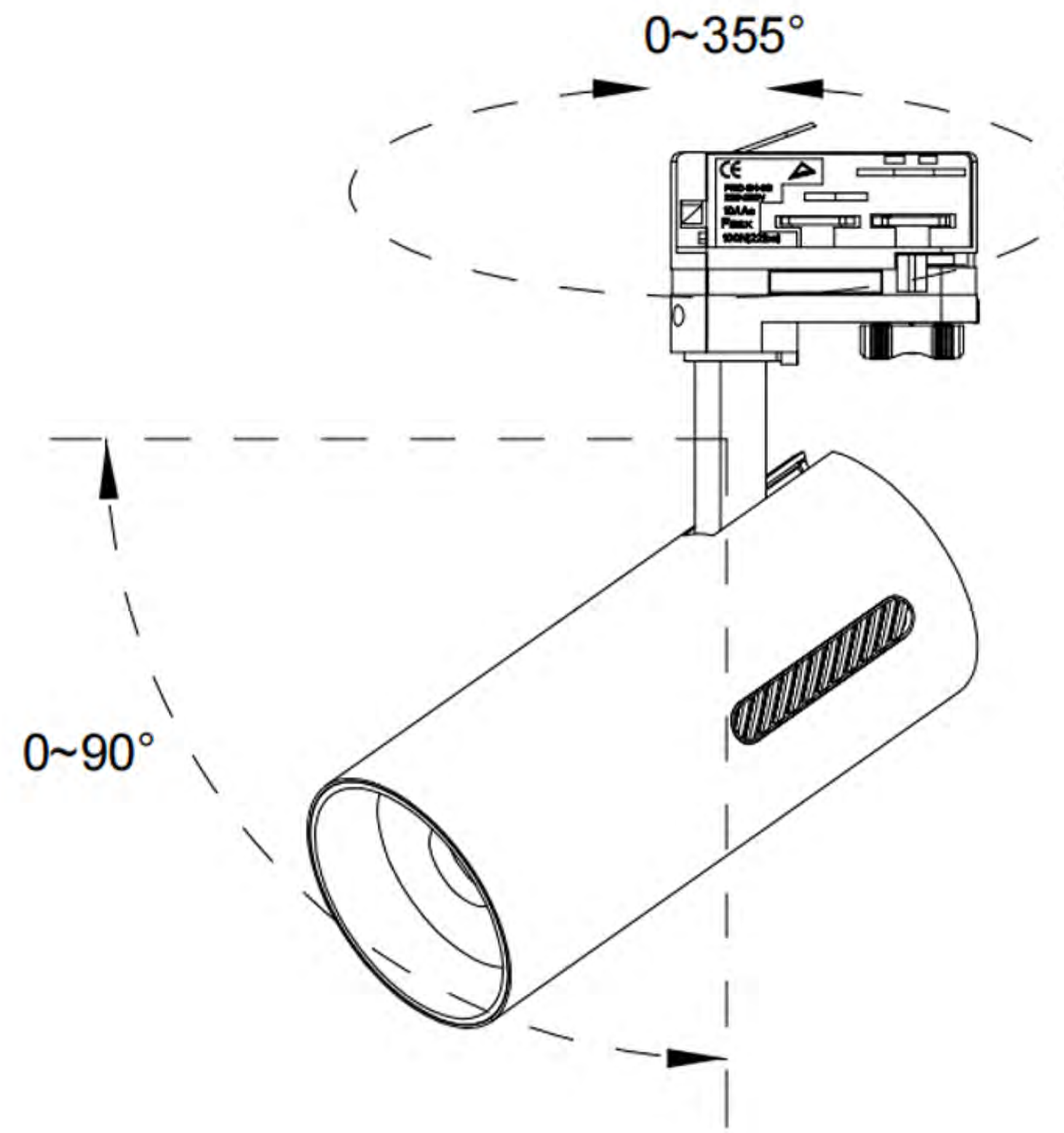
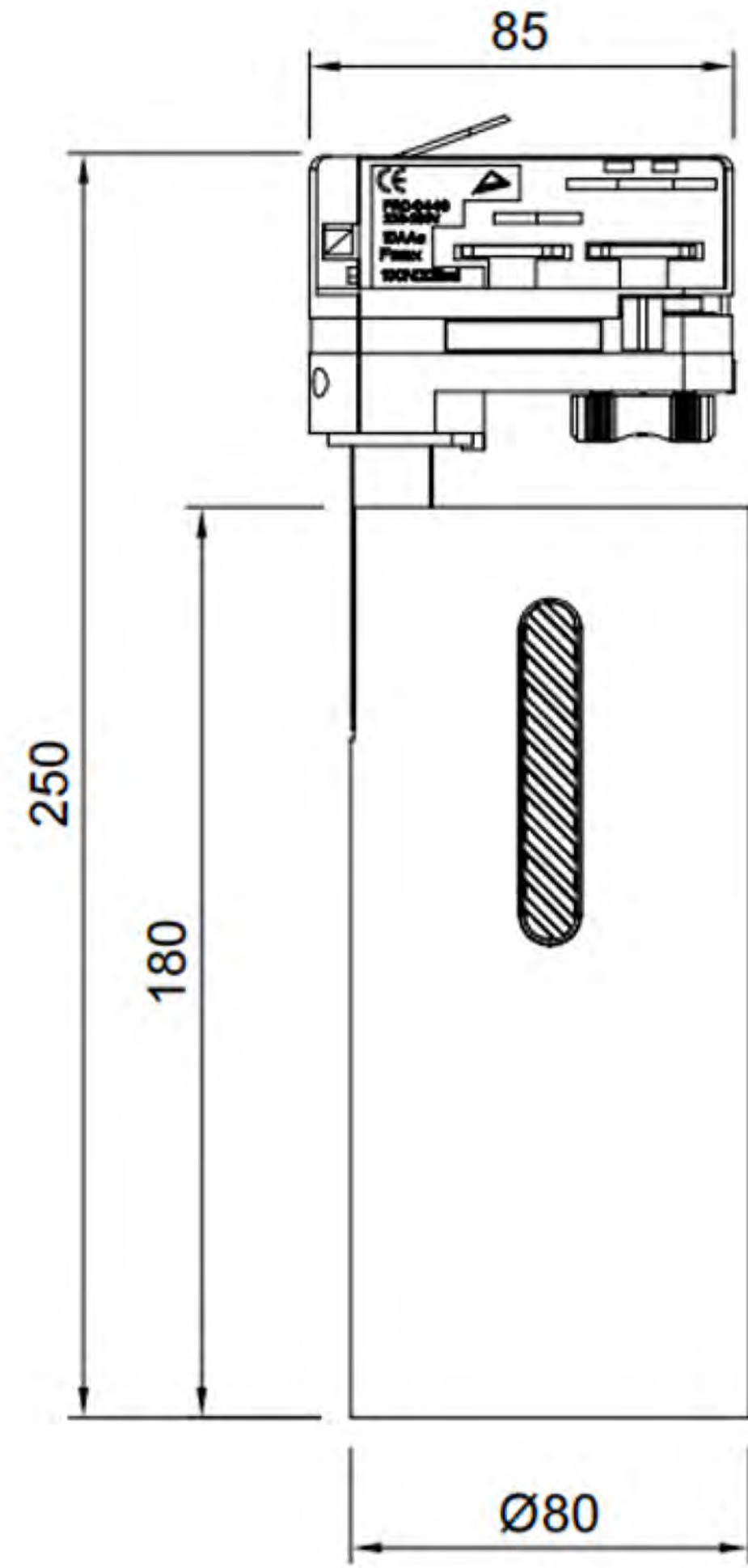
## APPLICATIONS



Size	83*Ø80*250 mm	83*Ø80*250 mm
Power	RGB6W / CW15W	RGB6W / CW20W
CCT	RGB / C(6000K) / W(2000K)	RGB / C(6000K) / W(2700K)
Output lumens(lm)	R88/G150/B40 / C885 / W632	R88/G150/B40 / C1152 / W842
Efficiency(lm/w)	R14/G25/B7 / C66 / W50	R14/G25/B7 / C60 / W44
Driver	OBALS(Patented product)	
Adjustable Angle	Vertical adjust 90°+Level adjust 355°	
CRI	≥ 90	
LED Chip	Bridgelux	
Input Voltage(V)	AC220-240V	
Beam Angle(°)	38°	
Life Span	30000 Hours	

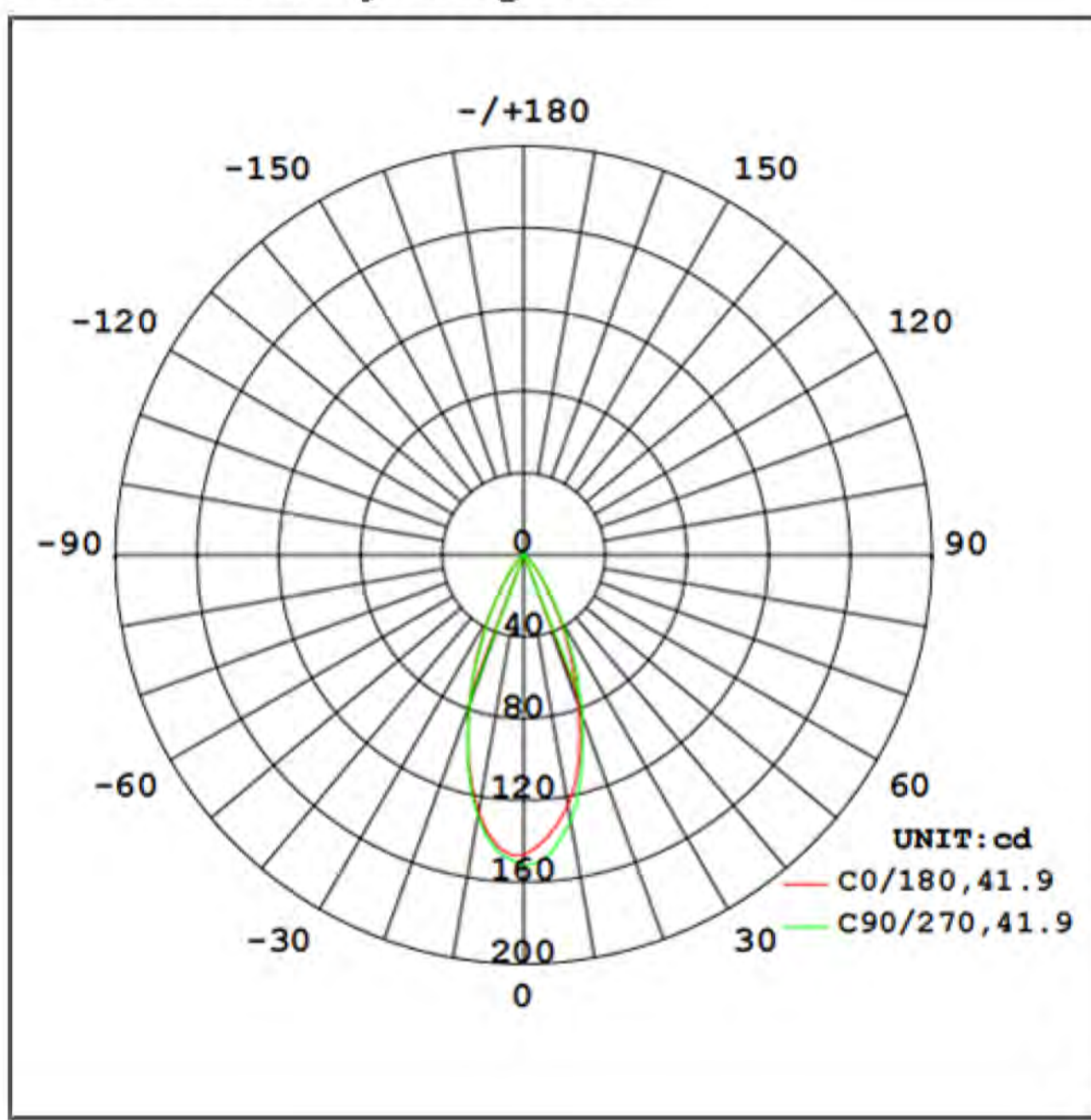


# DIMENSIONAL DRAWINGS

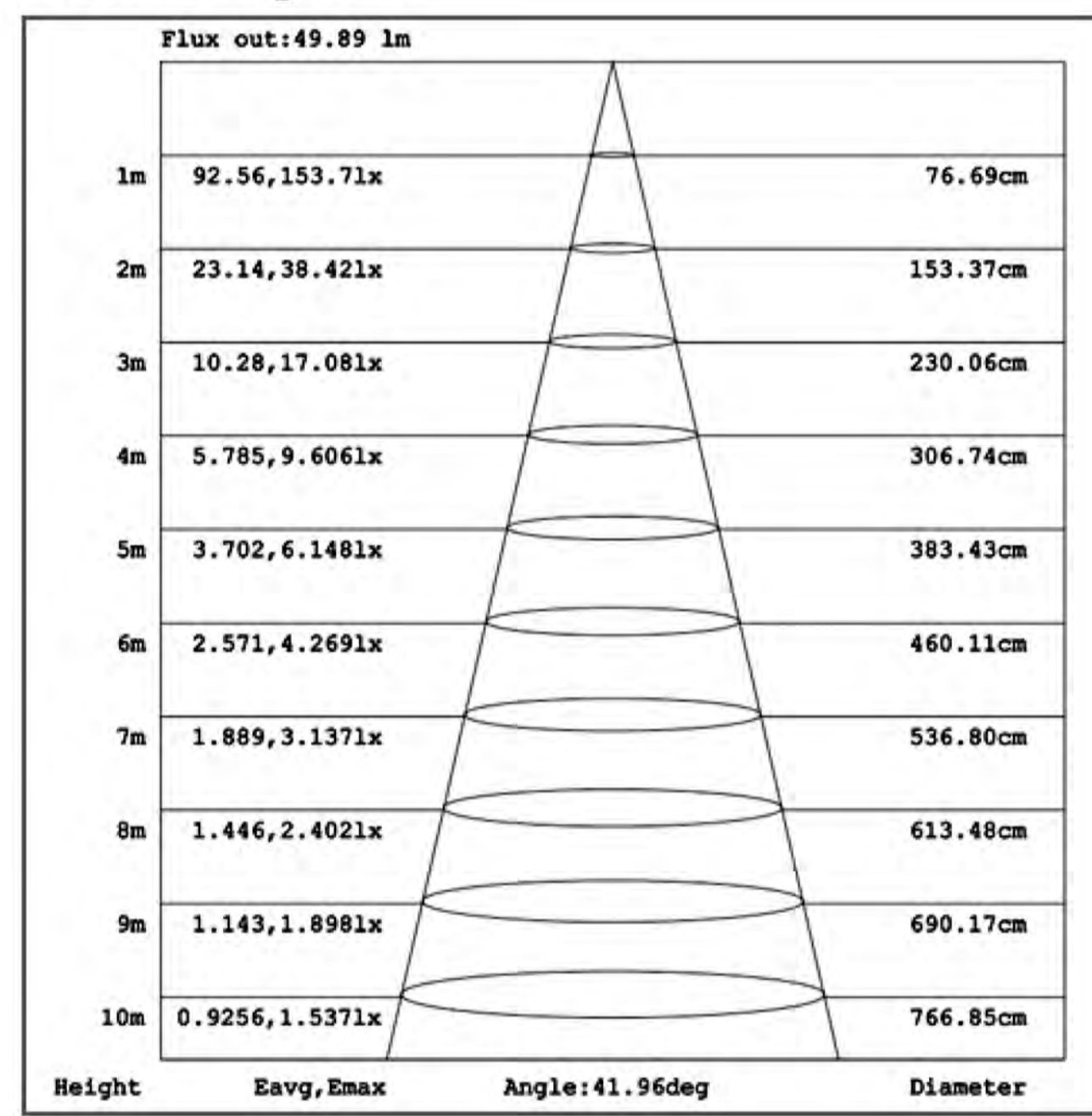


# PHOTOMETRIC SPECIFICATIONS

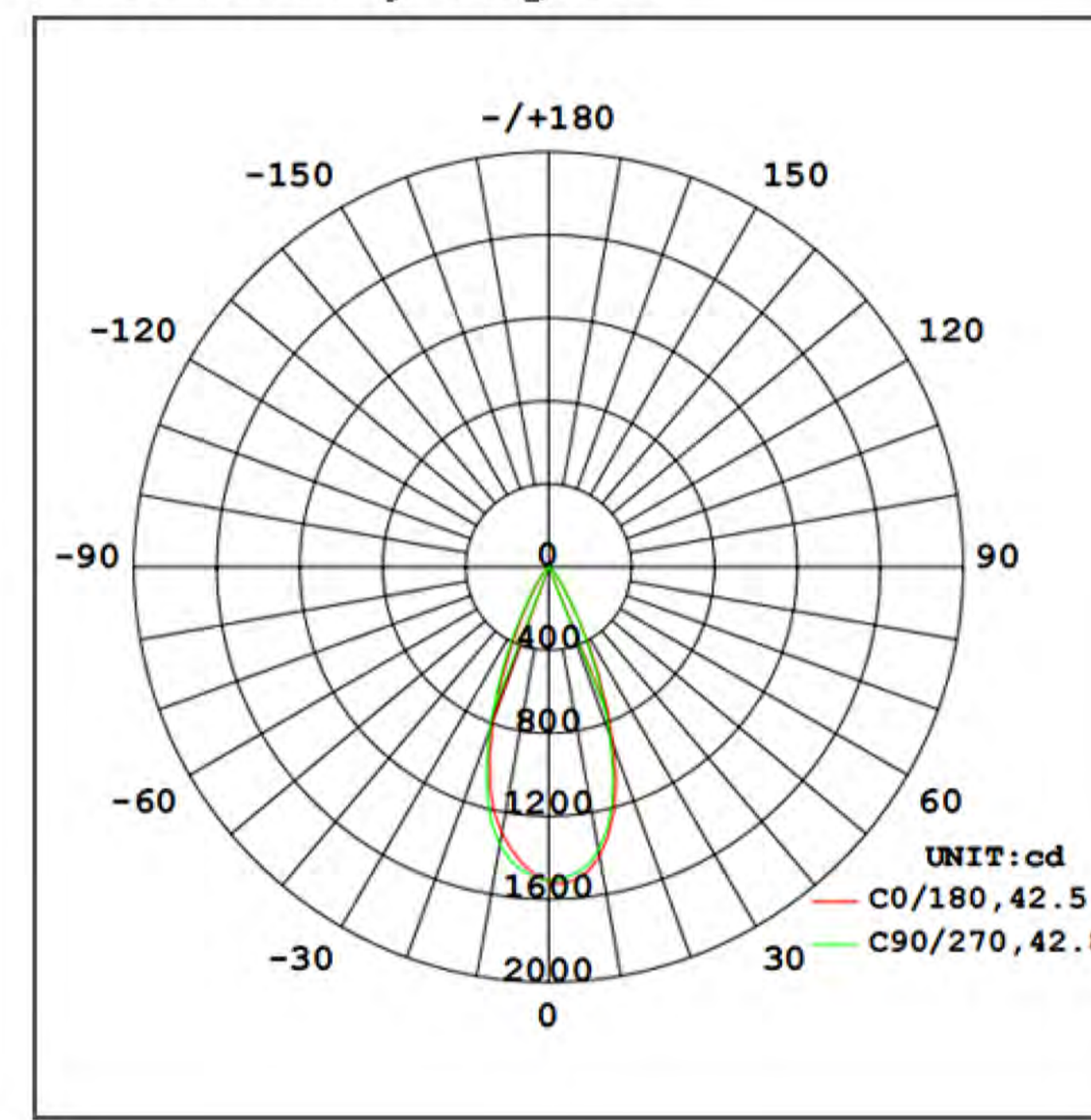
Polar intensity diagram



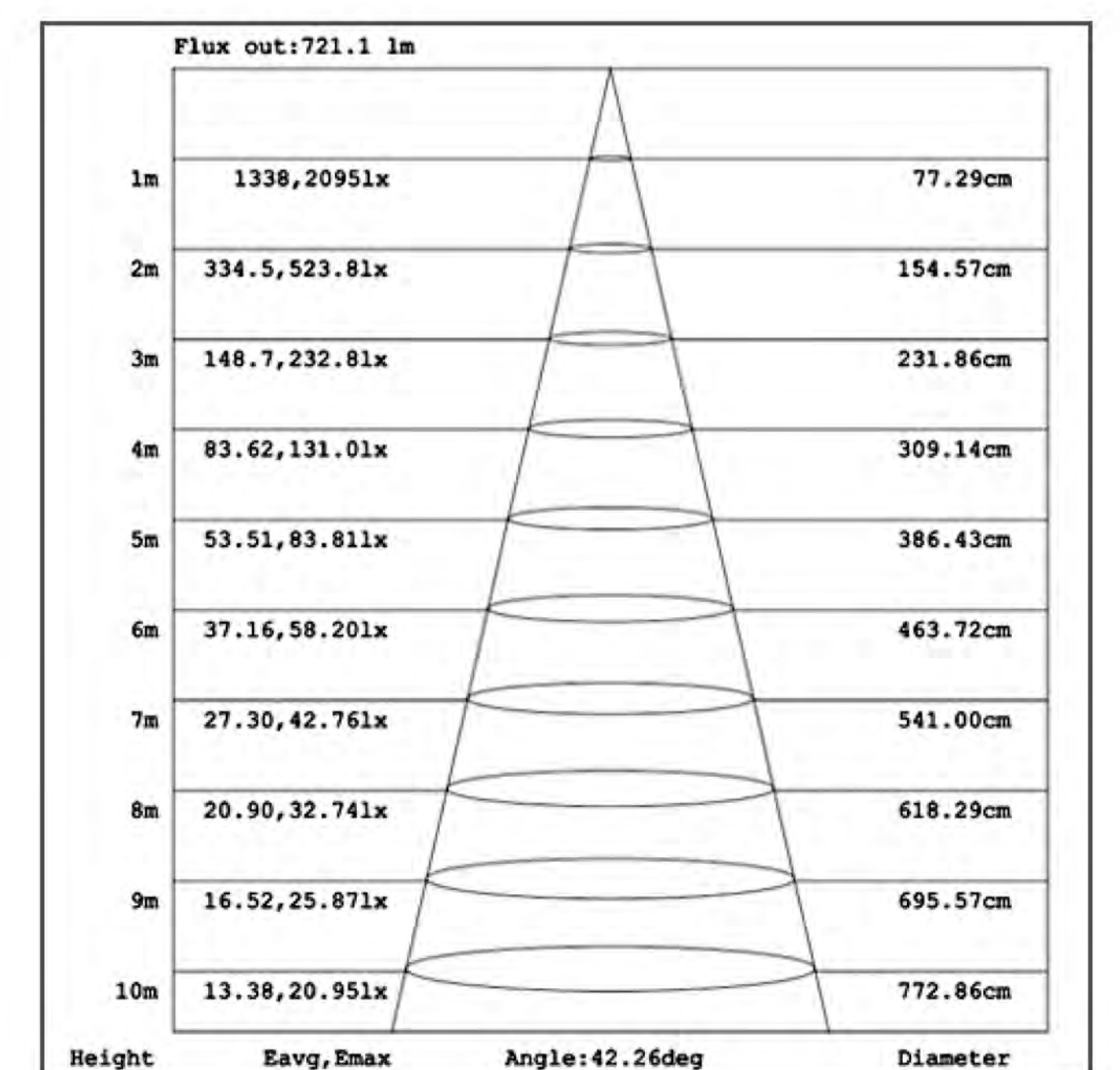
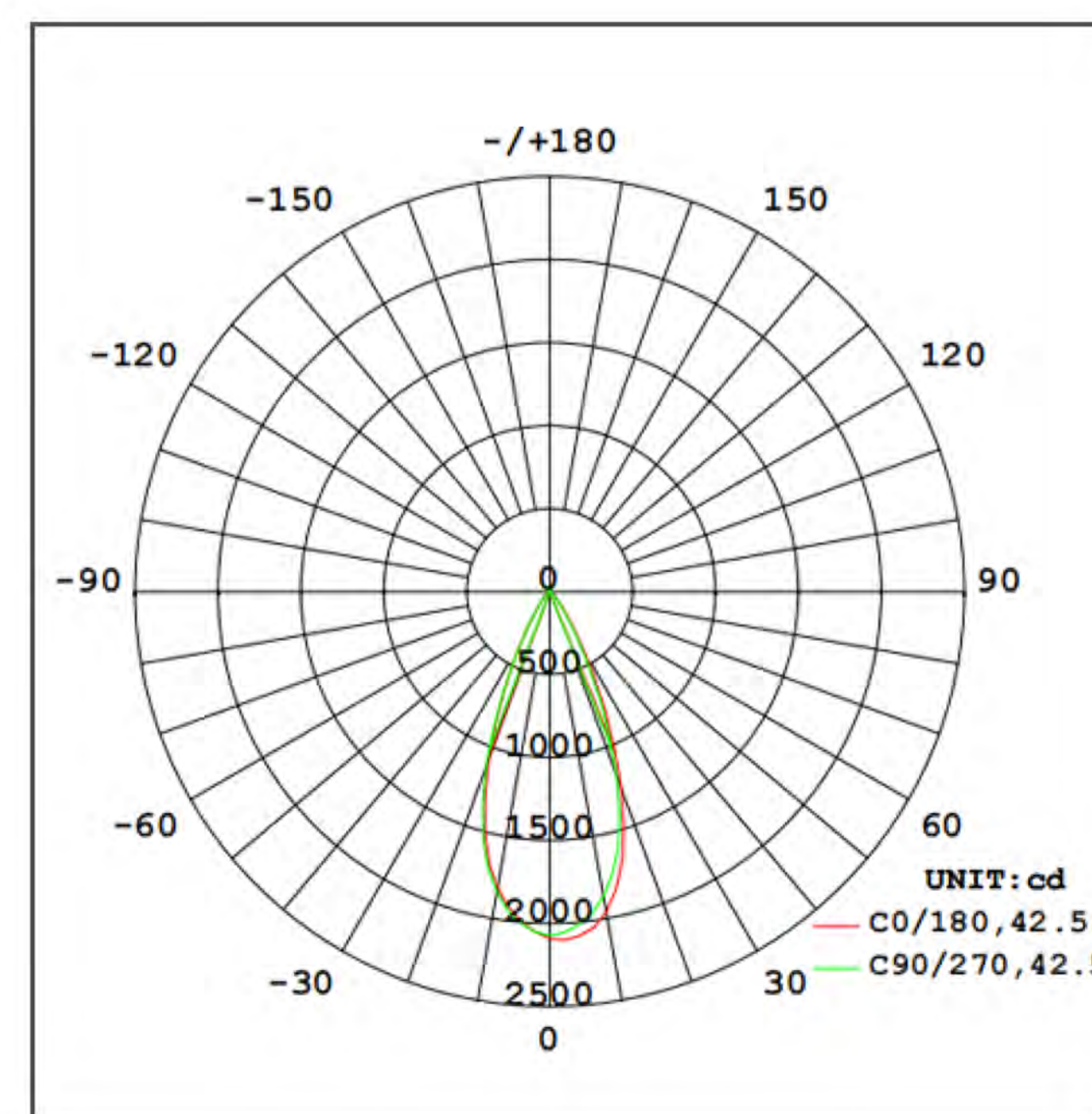
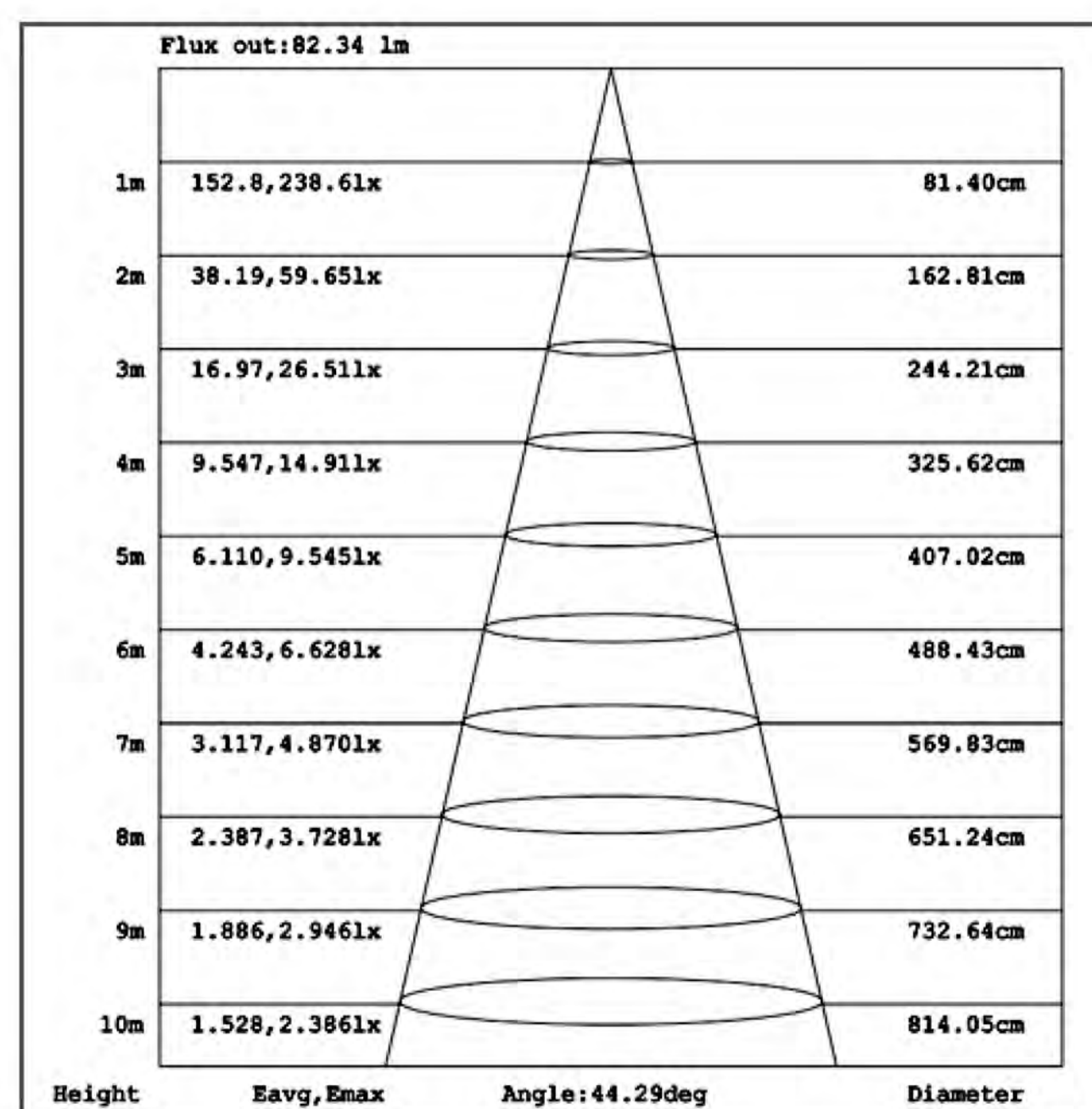
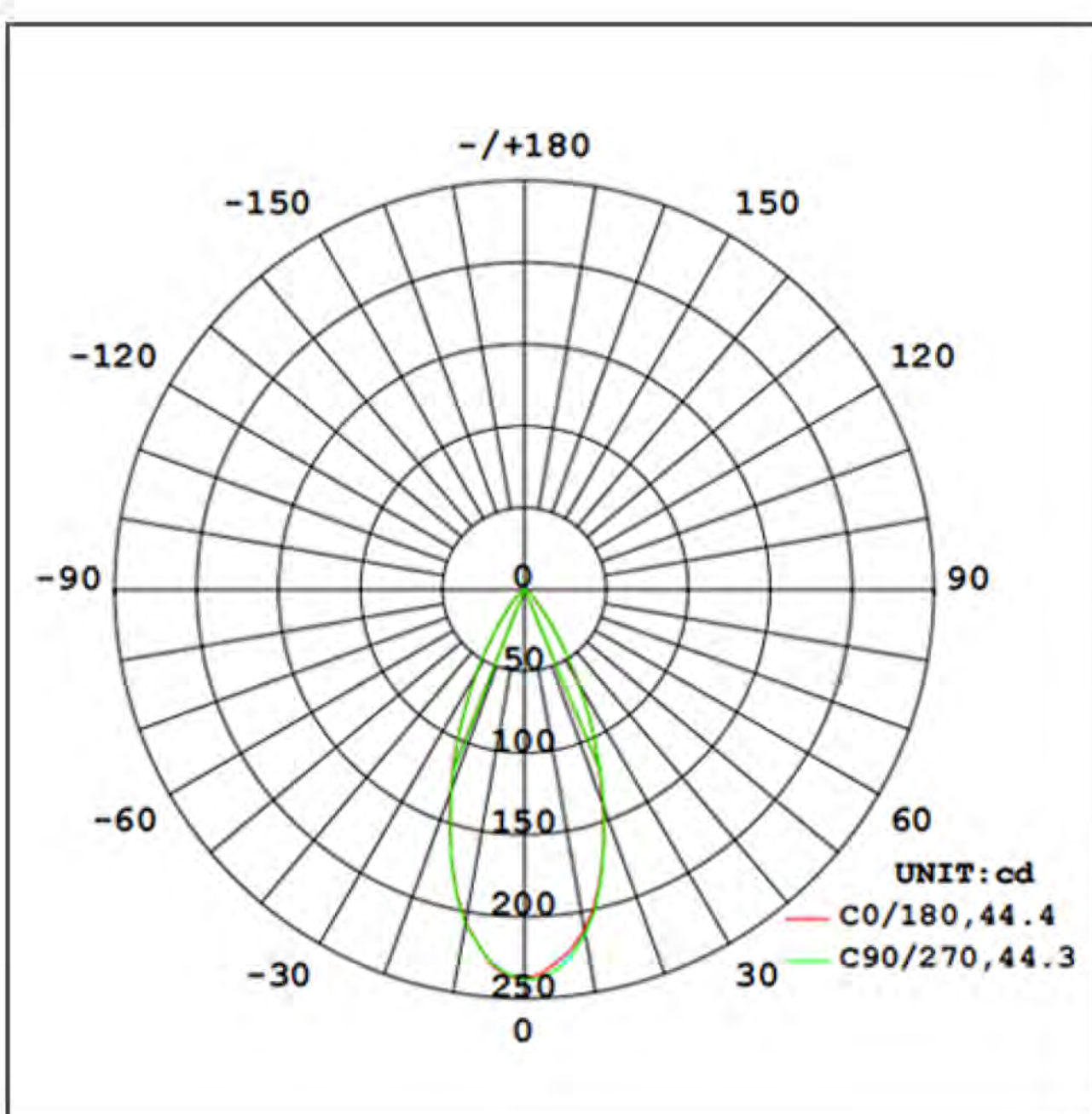
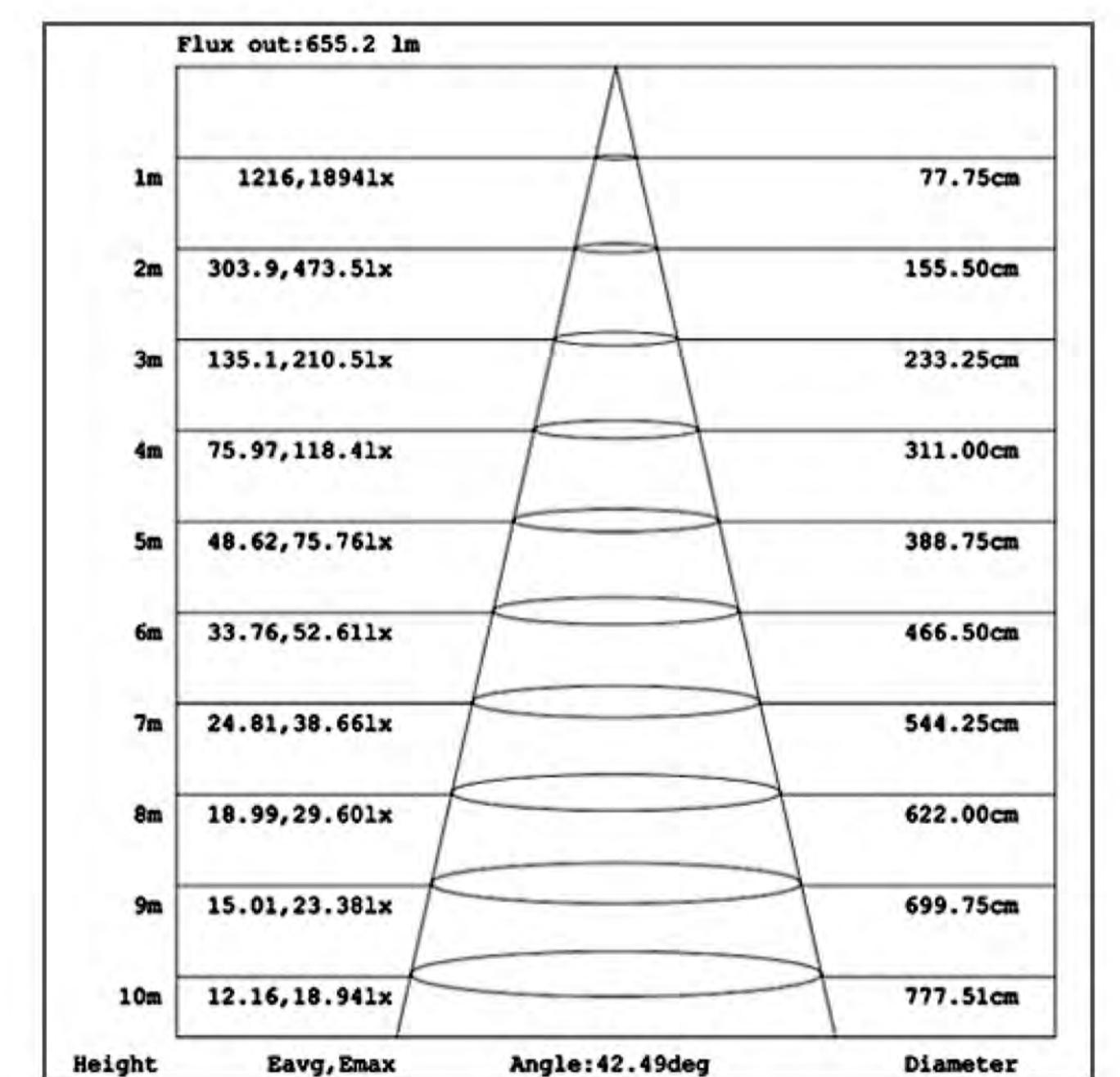
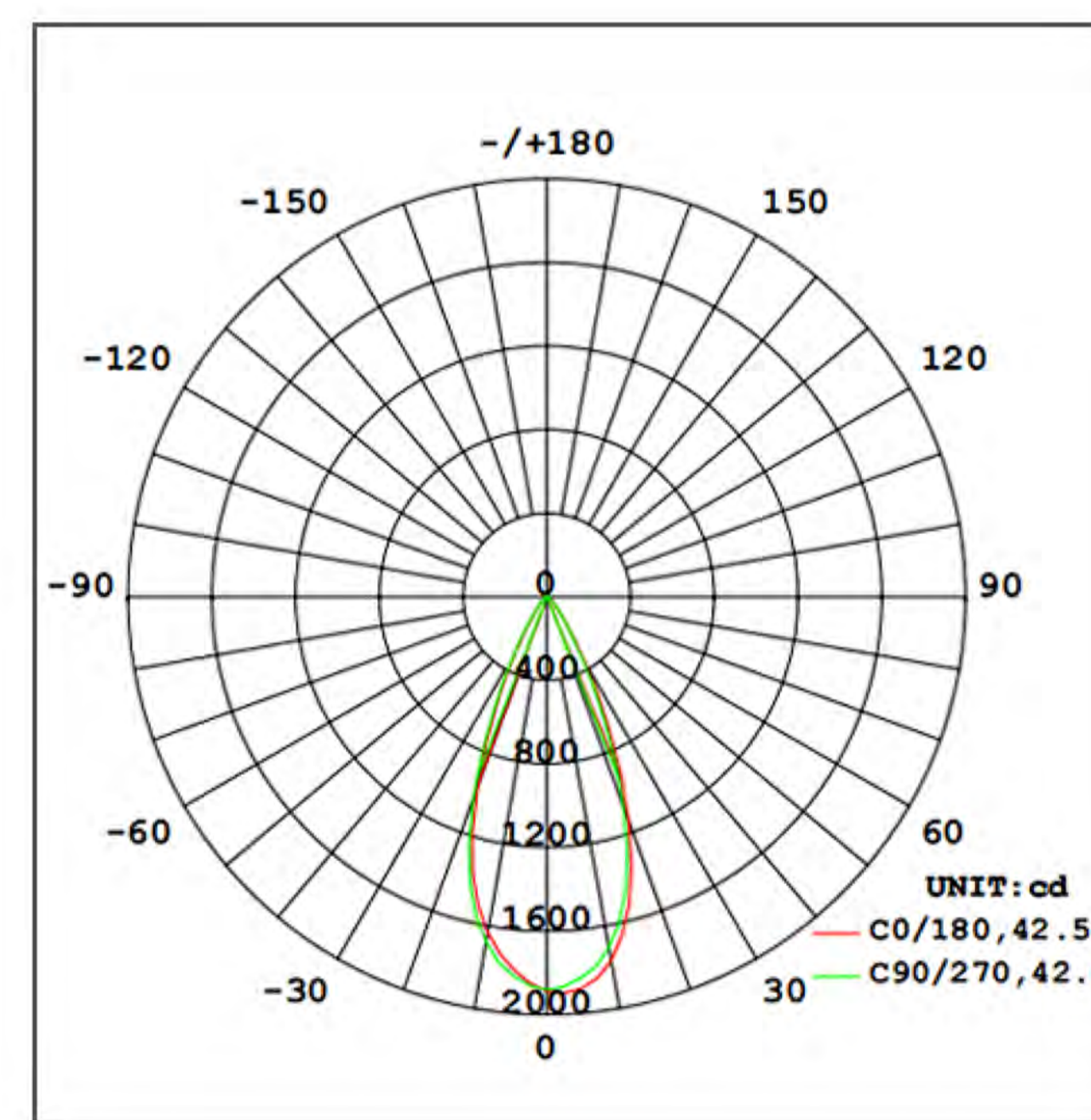
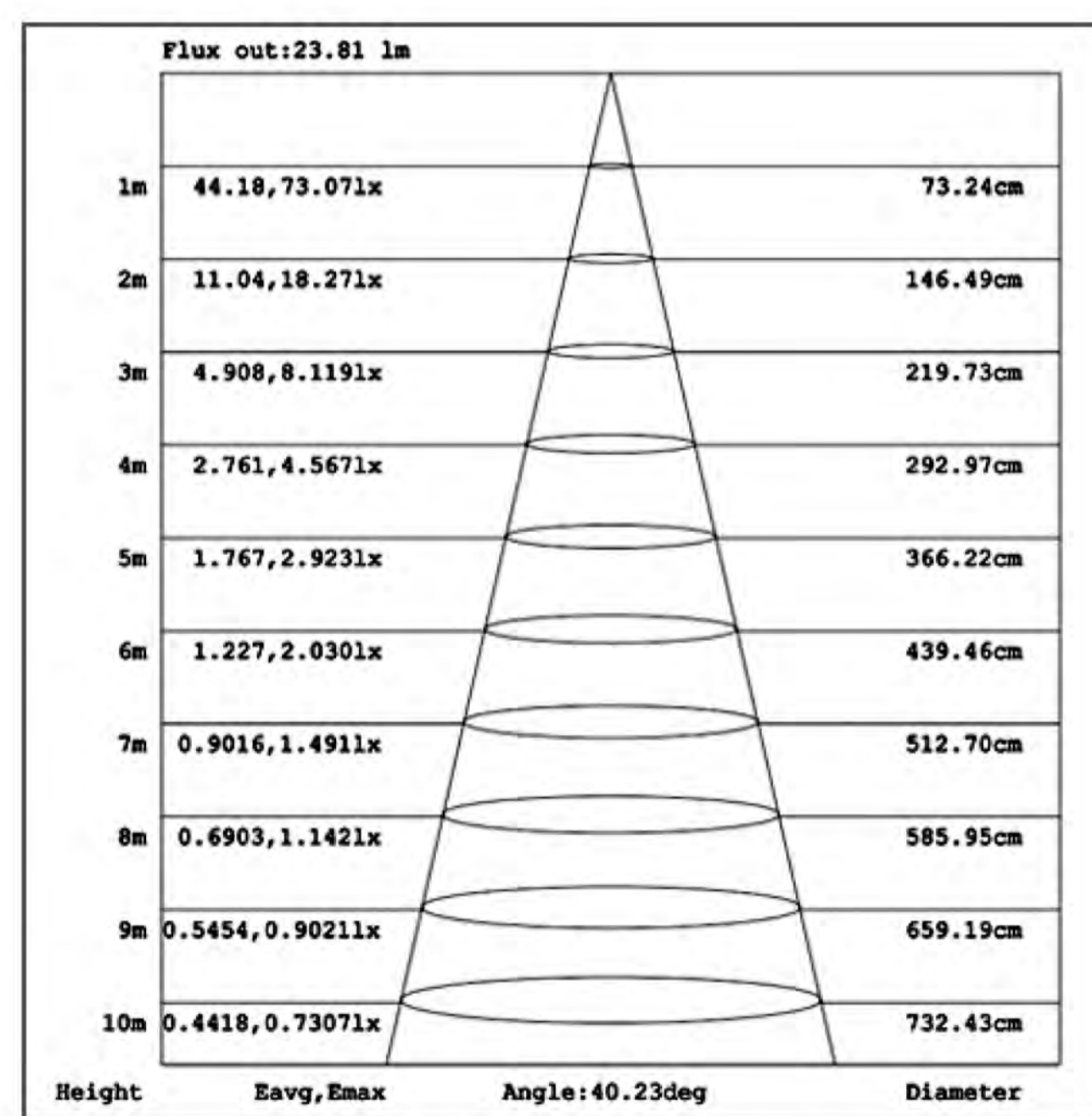
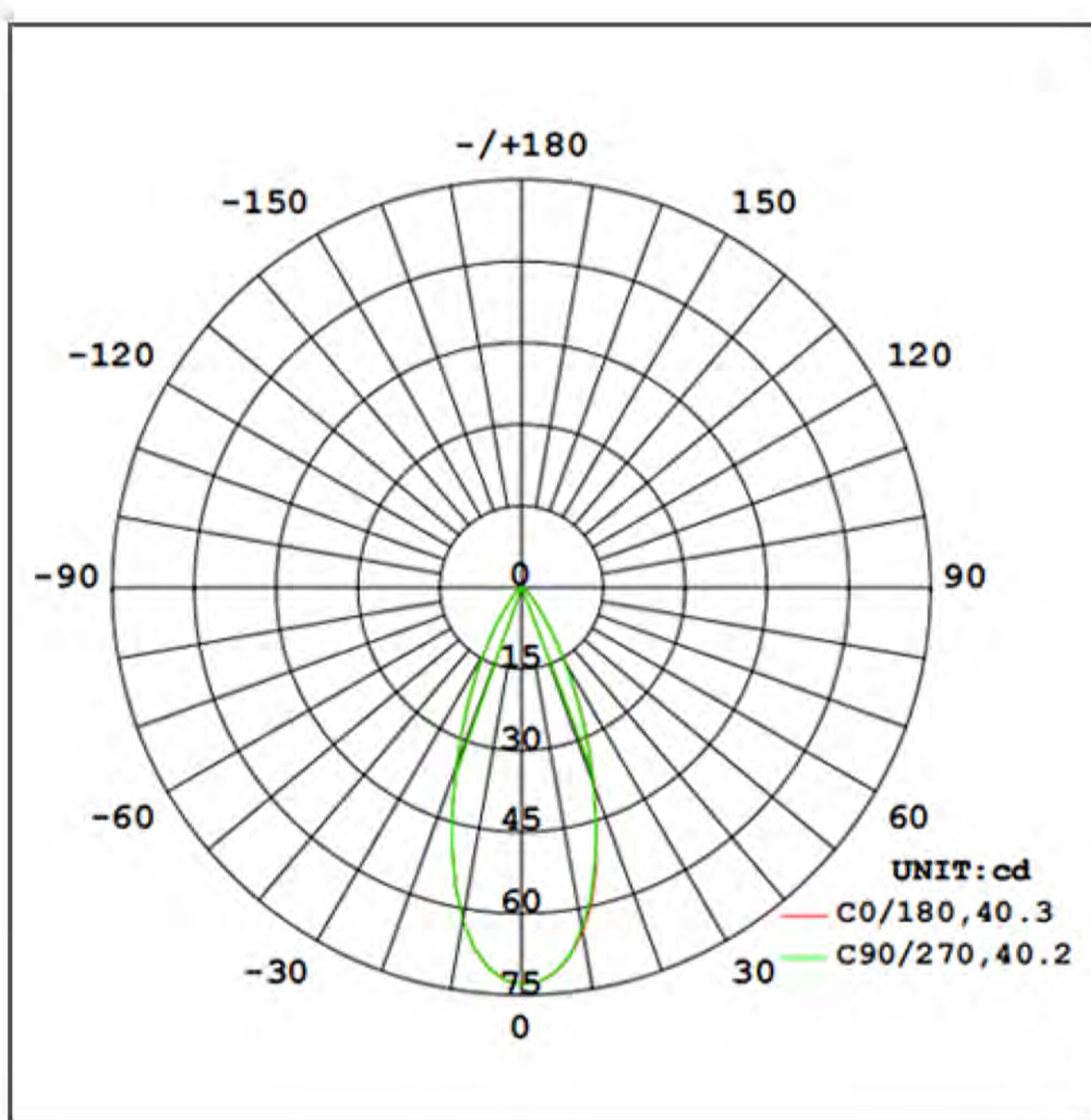
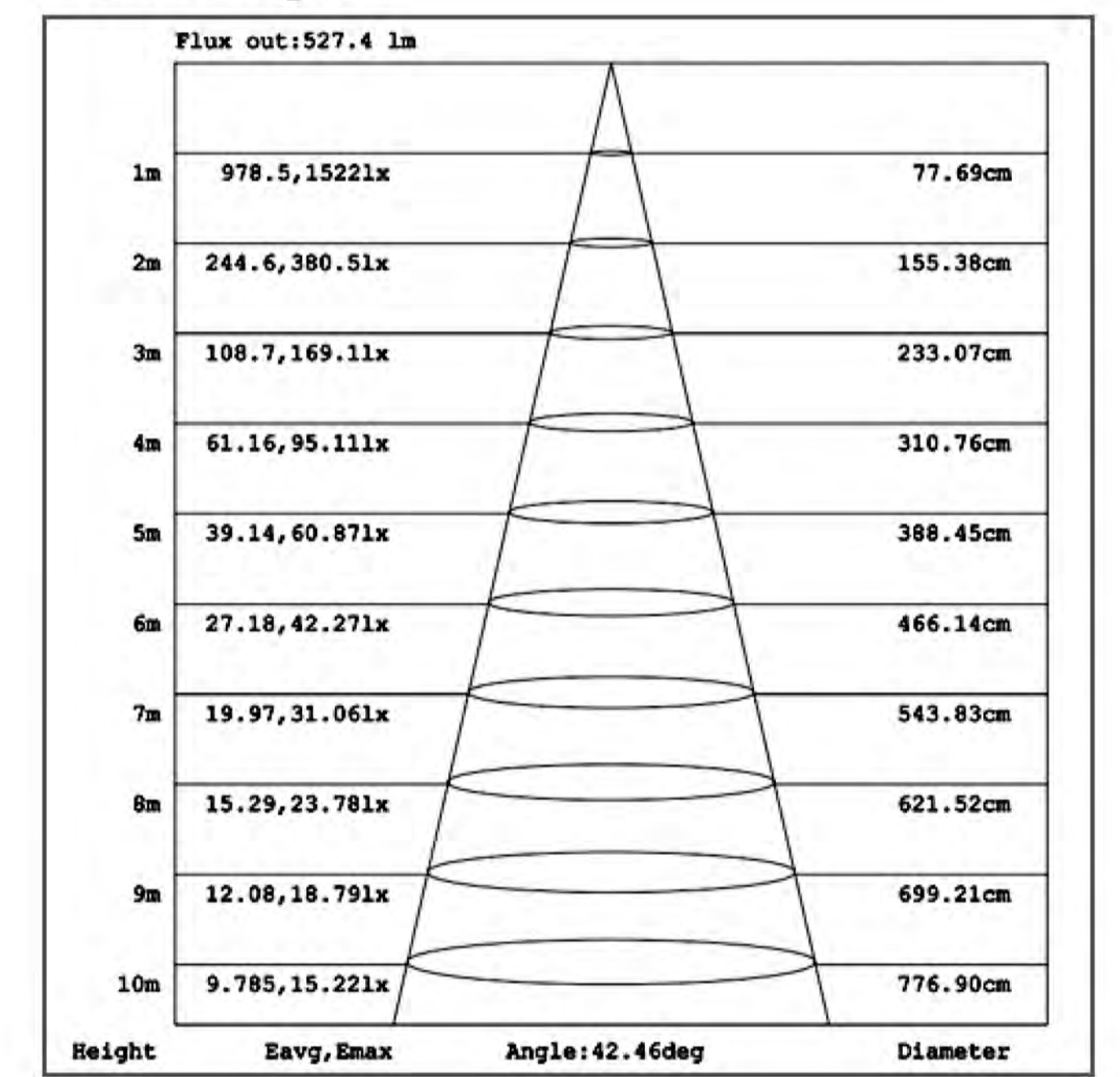
Beam diagram



Polar intensity diagram



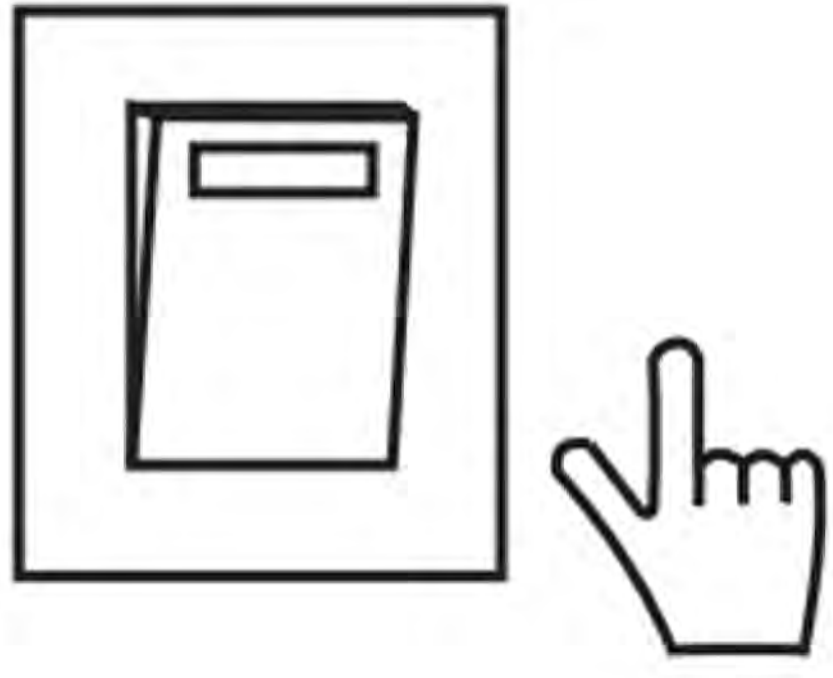
Beam diagram



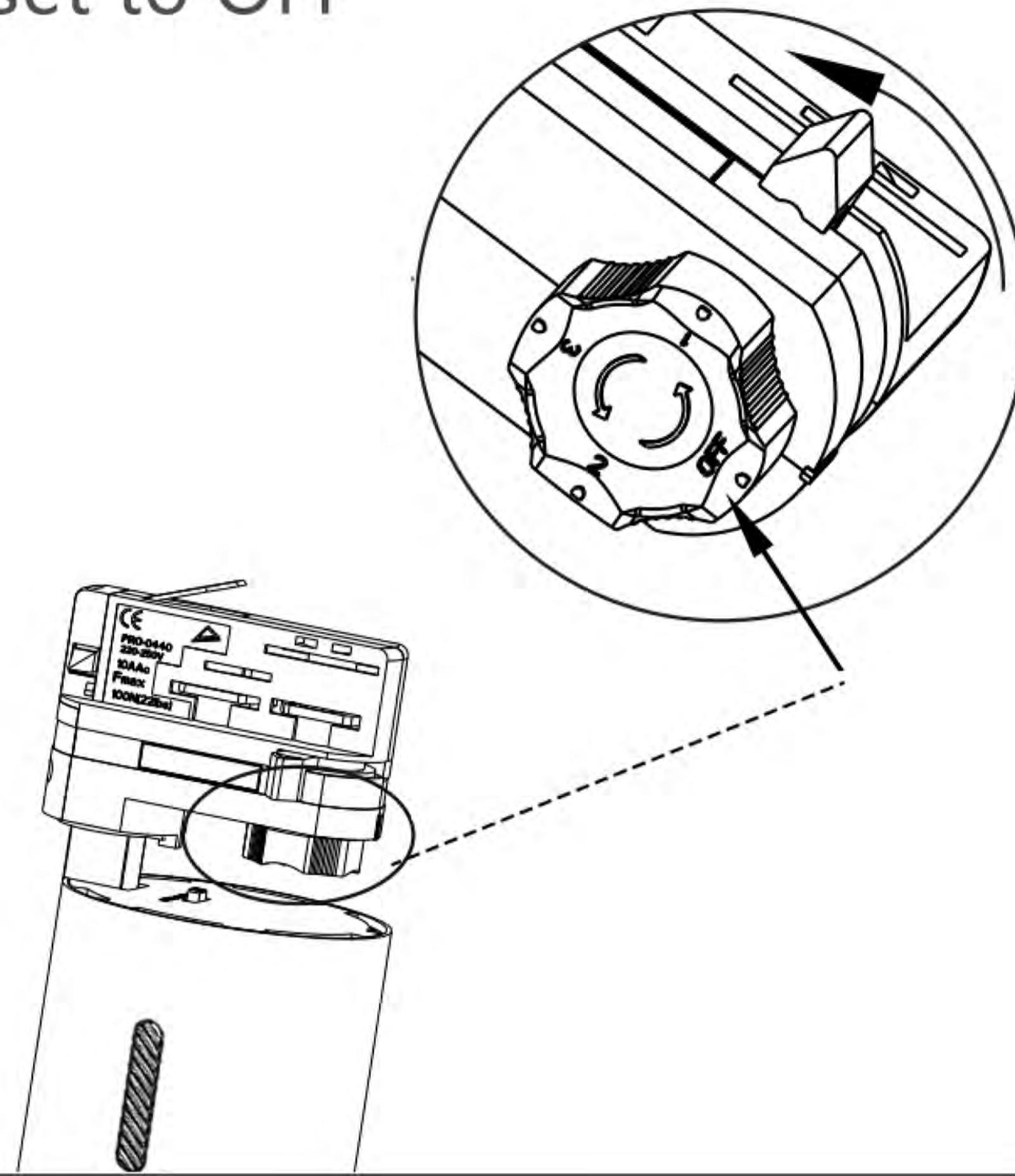


## INSTALLATION

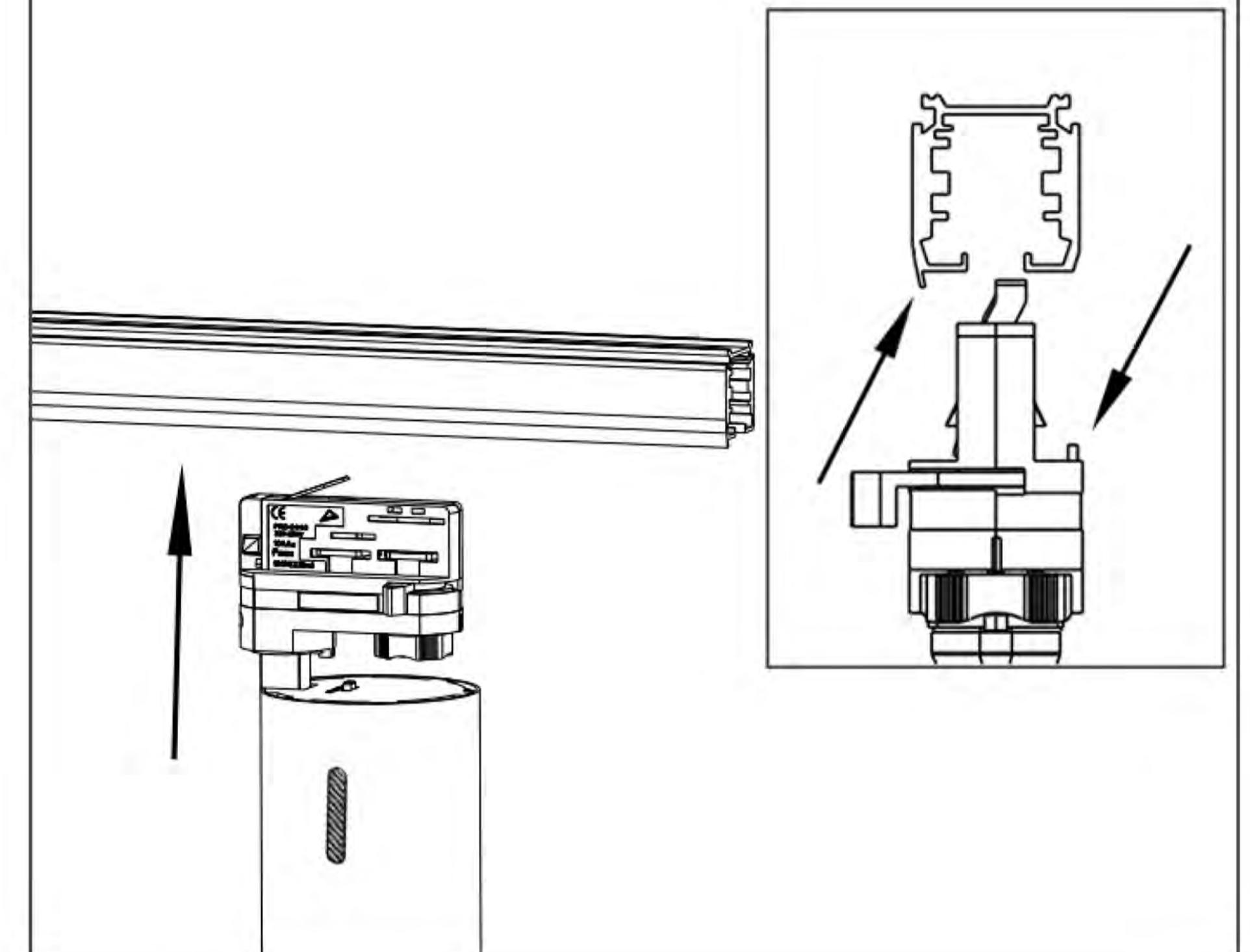
Step1  
Isolate Power.



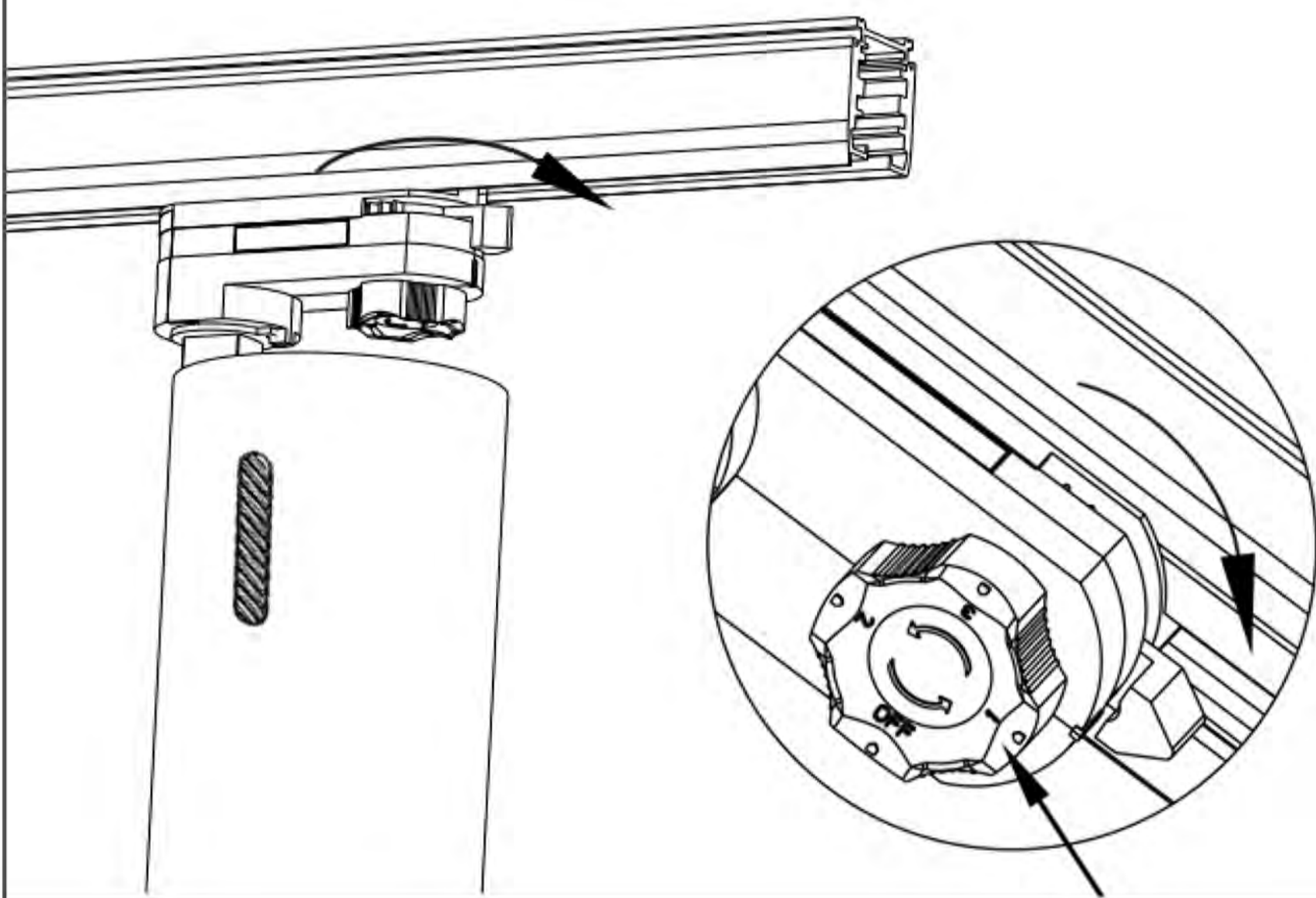
Step2  
Make the power adaptor set to OFF



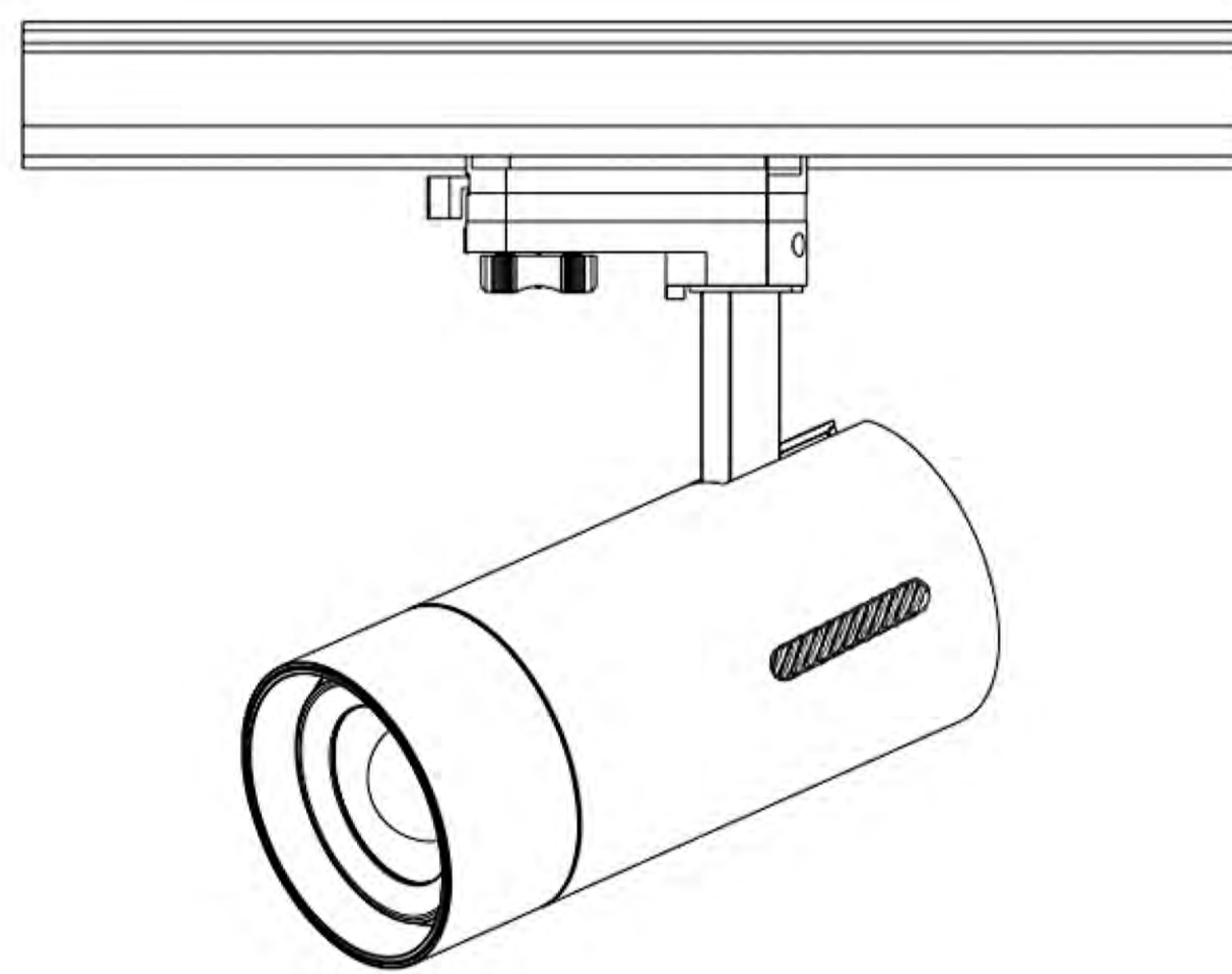
Step3  
Make the led track light put into the track bar.



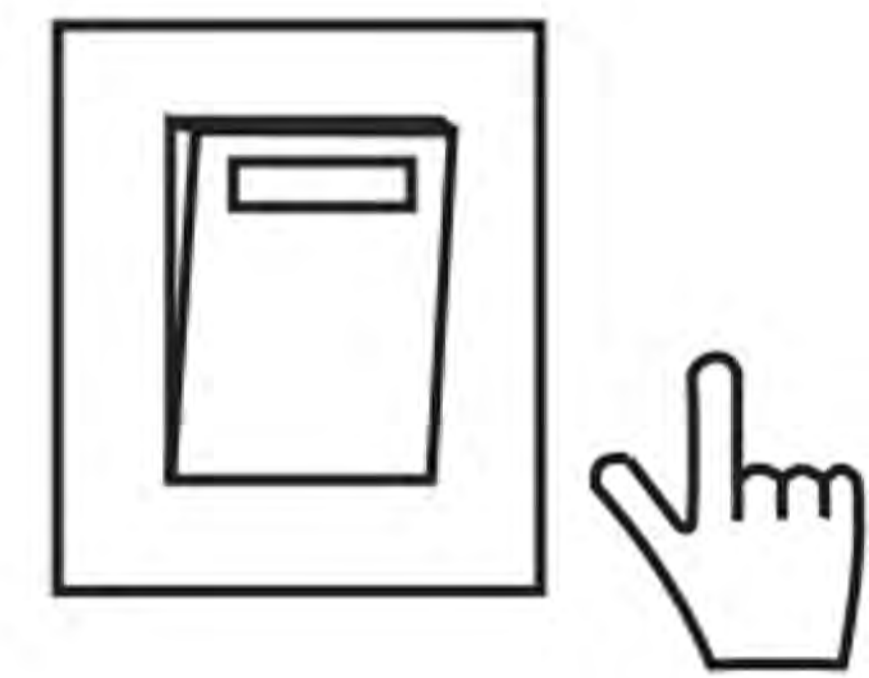
Step4  
Turn the handle 90° according the direction as show in the left pictuew,make sure the adaptor be locked in the track bar.



Step5  
Adjust the illumination angle of the lamp.



Step6  
Turn on the power to the lighting circuit.



## Packaging Information

PCS / Cabinet

Outer carton	Qty/carton	Unit N.W	Gross Weight
195*195*85mm	1Pcs	0.68 KG	0.725 KG
405*405*315mm	12Pcs	8.16 KG	11.8KG

548 Carton / Cabinet	1121 Carton / Cabinet	1294 Carton / Cabine
6576 PCS / Cabinet	13452 PCS / Cabinet	15528 PCS / Cabinet

